

SERIES

Electromagnetic Float Level Indicators



Production summary



Contamination monitoring products

- Calibrated on test rigs manufactured and certified to ISO 11943 based on methods from ISO 11171
- On-line and In-line counting to 400 bar
- Bottle sampler options
- Mobile designs RS 232 - RS 485 digital bus interface



Suction filters

- Flow rates to 620 l/min

Mounting:

- Tank immersed
- In-Line
- In tank with shut off valve
- In tank with flooded suction



Return filters

- Flow rates to 3000 l/min
- Pressure to 20 bar

Mounting:

- In-Line
- Tank top
- In single and duplex designs



Pressure filters

- Flow rates to 700 l/min
- Pressure from 110 bar to 560 bar

Mounting:

- In-Line
- Manifold
- In single and duplex designs



Spin-On filters

- Flow rates to 300 l/min
- Pressure to 35 bar

Mounting:

- In-Line
- Tank top

Production summary



Stainless Steel Pressure filters

- Flow rates to 100 l/min
- Pressure from 350 bar to 700 bar

Mounting:

- In-Line
- Manifold
- In single and duplex designs



In-Line filters

- Flow rates to 3000 l/min
- Pressure to 80 bar

Mounting:

- In-Line
- Parallel manifold version
- In single and duplex designs



Filtration units

- Flow rates from 15 l/min to 200 l/min
- In static and mobile style



Accessories

- Oil filler and air breather plugs
- Optical and electrical level gauges
- Pressure gauge valve selectors
- Pipe fixing brackets
- Pressure gauges



Mechanical Products

- Aluminium bell housings for motors from 0.12 kW to 400 kW
- Couplings in Aluminium - Cast Iron - Steel
- Damping rings
- Support feet
- Aluminium tanks
- Inspection doors

ELECTROMAGNETIC FLOAT LEVEL INDICATORS



Temperature: from -15°C to $+80^{\circ}\text{C}$

Compatibility

- In compliance with ISO 2943, suitable for mineral oils (types HH-HM-HR-HV-HG to ISO 6743/4) and synthetic fluids (types HS-HFDR-HFDS-HFDU to ISO 6743/4)
- For fluids, lengths and operating temperatures other than those specified, consult the Technical-Sales department

Electromagnetic float level indicators use the action of a magnet fixed to the float to change the electrical status of a reed switch mounted on the inside of the tube.

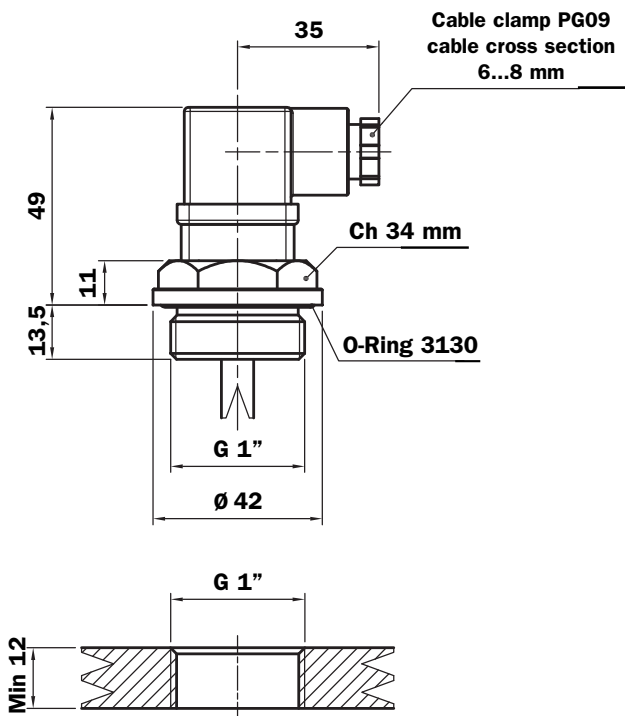
As the level of fluid in the tank changes the float moves together with the magnet, which, when it encounters the reed switch, causes the contacts to move thereby tripping an alarm signal.

The movement of the float is normally limited by mechanical stops because once the magnet exceeds the point at which it activates the reed switch, the switch reverts to its original status.

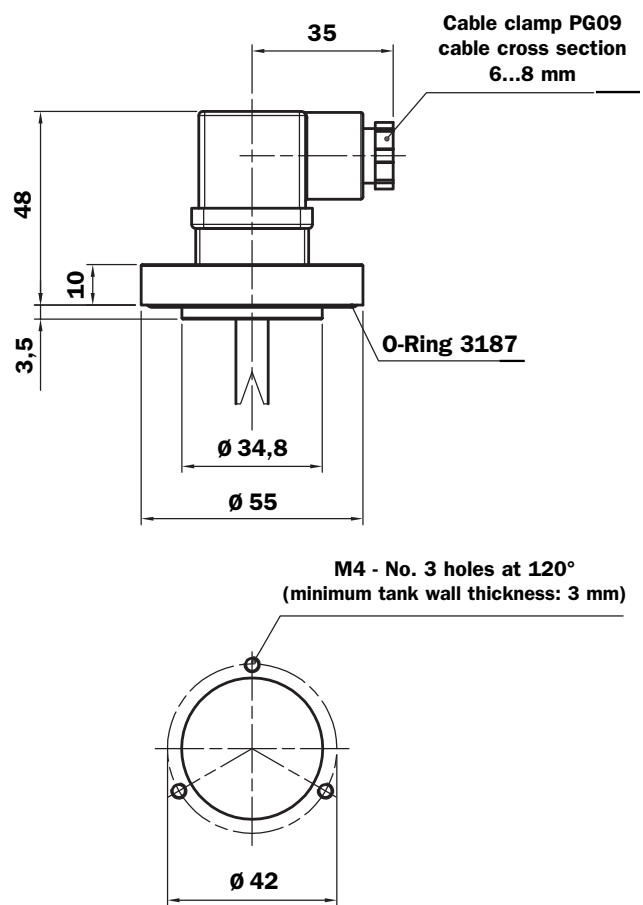
To invert the contact status from NO to NC and vice versa, it is normally sufficient to invert the float.

Connections

Threaded Connection



Flanged Connection



Supplied with the entire flanged series

- Fixing kit inclusive of:
- 3 M4x12 Allen screws - AISI 304
 - 3 plain washers - Copper

Series LEN



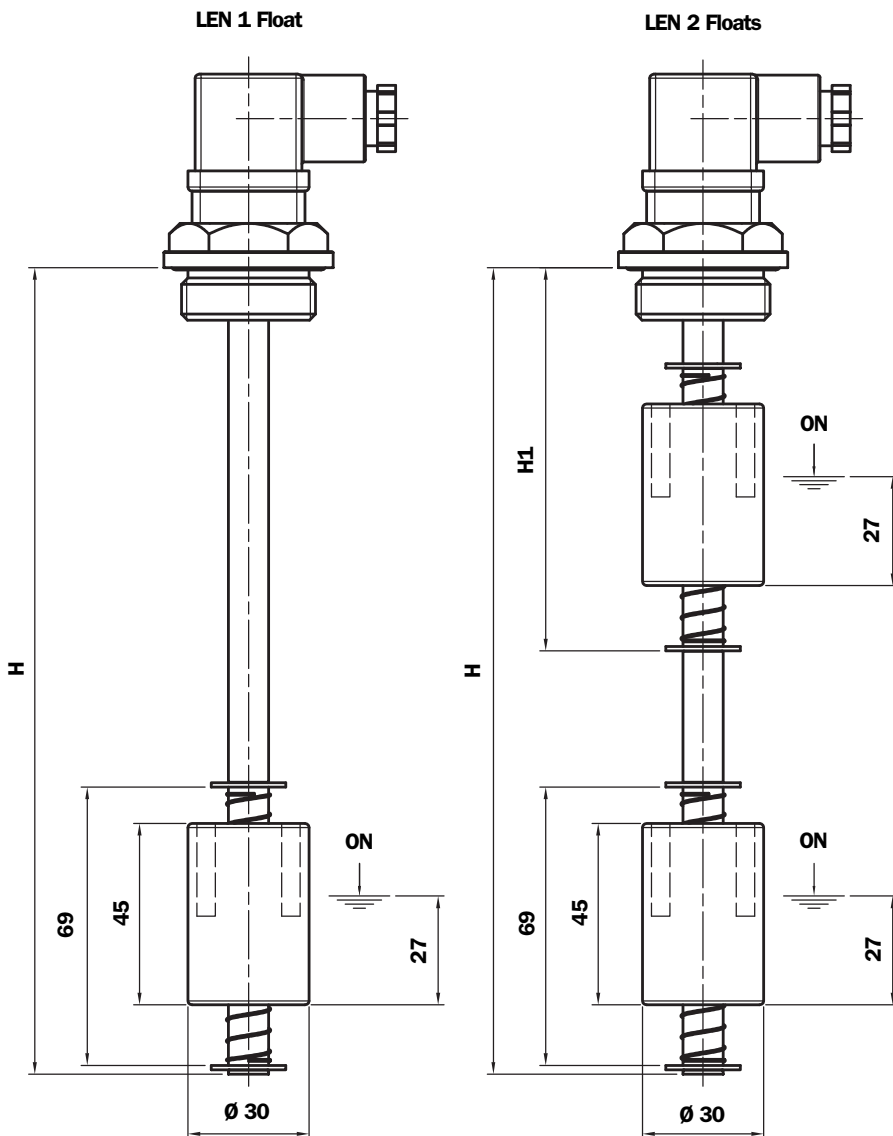
LEN (Materials)

- Flange/Threaded body: Aluminium
- Tube: Brass (AISI 304 on request)
- Float: Nylon foam (AISI 316 on request)
- O-Ring: NBR
- Circlip: Phosphor bronze
- Contact: N.C. reed (N.O. on request)
- Protection rating: IP65
- Max switching capacity: 80 W
- Max switching current: 1 A
- Max switching voltage: 250 Vac
- Fluid specific gravity: > 0.75

Weight

- 185 g (For 1 float L=150 mm)
- 230 g (For 2 floats L=200 mm)

Dimension

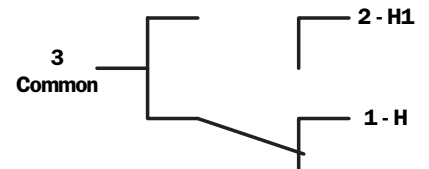


Functional diagram
LEN 1 Float



To invert the contact status from NO to NC and vice versa, simply invert the float.

Functional diagram
LEN 2 Floats



To invert the contact status from NO to NC and vice versa, simply invert the float.

Length	H	H1
100	100	-
150	150	-
200	200	95
250	250	105
300	300	105
350	350	115
400	400	115
500	500	125

Series LEG



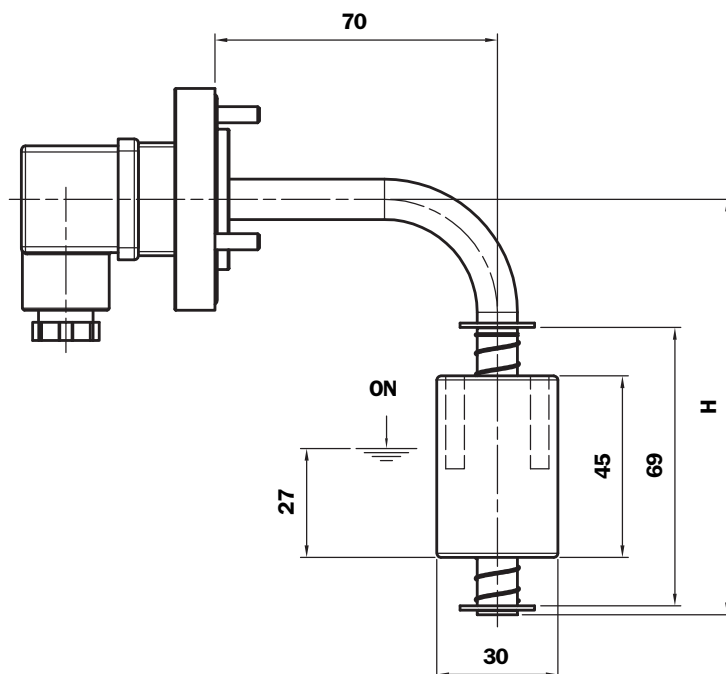
LEG (Materials)

- Flange: Aluminium
- Tube: Brass
- Float: Nylon foam
- O-Ring: NBR
- Circlip: Phosphor bronze
- Contact: N.C. reed (N.O. on request)
- Protection rating: IP65
- Max switching capacity: 80 W
- Max switching current: 1 A
- Max switching voltage: 250 Vac
- Fluid specific gravity: > 0.75

Weight

180 g (For L=103 mm)

Dimension



LEG 1 Float



To invert the contact status from NO to NC and vice versa, simply invert the float.

Length	H
103	103
200	200
300	300
350	350

Ordering information LEG

Electrical float level indicators series LEG

Example: LEG

1 - Tube material

A Brass

2 - Length

102
200
300
350

3 - Number of floats

1 Nr. 1 float

1 2 3 4 5 6 7 8 9
A **200** **2** **A** **1** **A** **F** **S** **P01**

4 - Float material

A Nylon foam

5 - Changeover contacts

1 NC

6 - Seals

A NBR

7 - Type of fixing

F 3 hole flange

8 - Electrical connection

S DIN 43650 connector

9 - Options

P01 MP Filtri standard

Pxx On request

Dimension



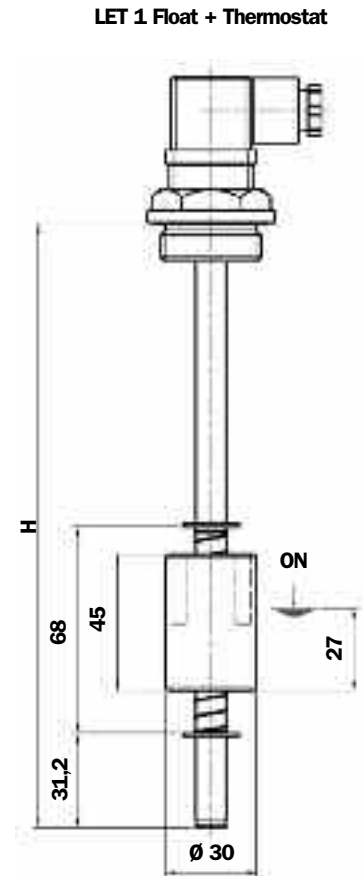
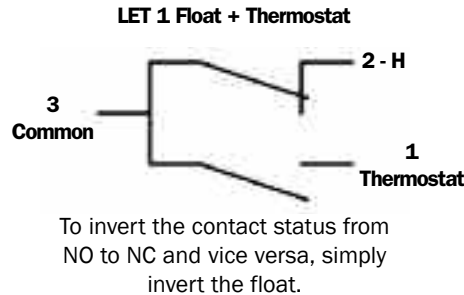
LET (Materials)

- Flange/Threaded body: Aluminium
- Tube: Brass (AISI 304 on request)
- Float: Nylon foam (AISI 316 on request)
- O-Ring: NBR
- Circlip: Phosphor bronze
- Contact: N.C. reed (N.O. on request)
- Protection rating: IP65
- Max switching capacity: 80 W
- Max switching current: 1 A
- Max switching voltage: 250 Vac
- Fluid specific gravity: > 0.75

Weight

180 g (For L=150 mm)

Length	H
100	100
150	150
200	200
250	250
300	300
350	350
400	400
500	500



Ordering information LET

Electrical float level indicators series

LET

Example: LET

1 - Tube material

- A** Brass
- B** AISI 304 (special on request)

2 - Length

- 150**
- 200**
- 250**
- 300**
- 400**
- 500**

3 - Number of floats

- 1** Nr. 1 float

4 - Float material

- A** Nylon foam
- B** AISI 316 (special on request)

1	2	3	4	5	6	7	8	9	10
A	200	1	A	1	A	F	S	60	P01

5 - Contacts

- 1** NC

6 - Seals

- A** NBR

7 - Type of fixing

- F** 3 hole flange
- G** G 1" thread

8 - Electrical connection

- S** DIN 43650 connector

9 - Thermostat trip temperature

- 50** 50°C N.O.
- 60** 60°C N.O.
- 70** 70°C N.O.

10 - Options

- P01** MP Filtri standard
- Pxx** On request

Series LEM



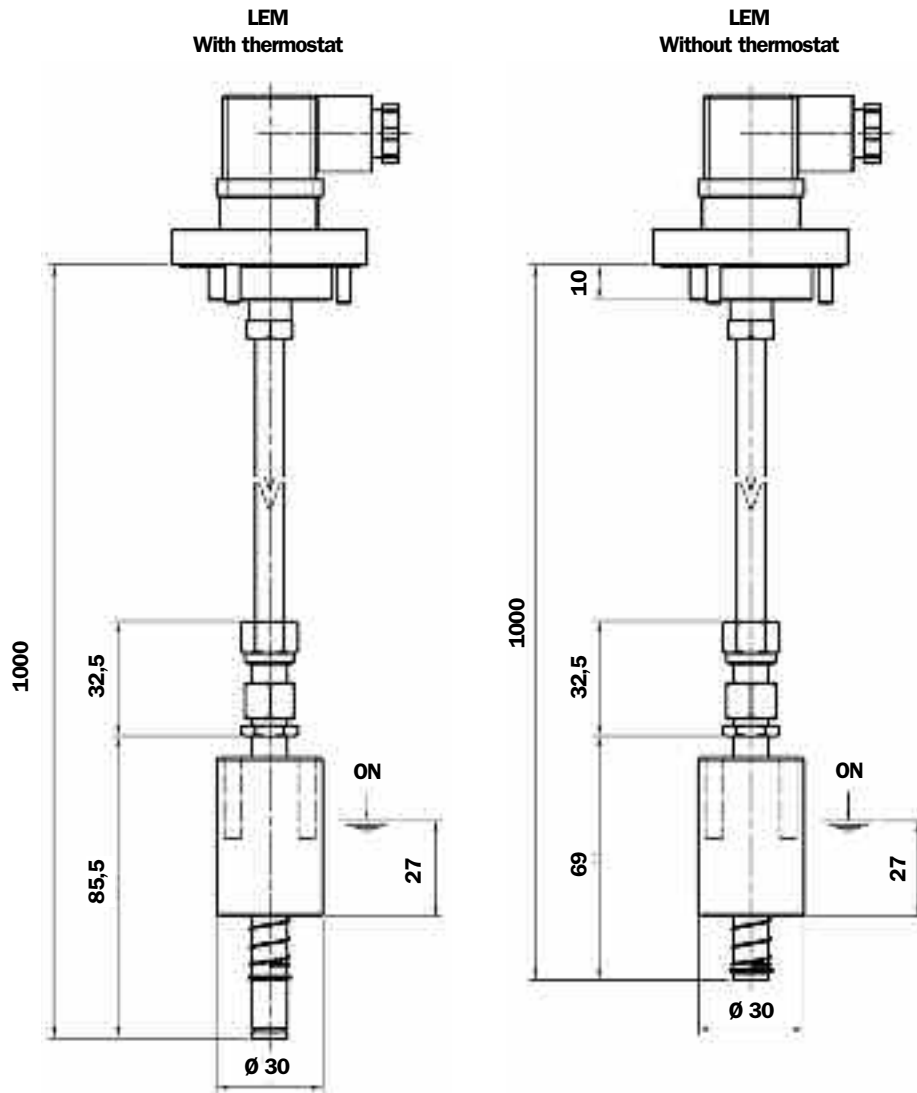
LEM (Materials)

- Flange/Threaded body: Aluminium
- Tube: Brass
- Float: Nylon foam
- O-Ring: NBR
- Circlip: Phosphor bronze
- Float contact: N.C. reed (N.O. on request)
- Thermostat contact: N.O. (N.C. on request)
- Protection rating: IP65
- Max switching capacity: 80 W
- Max switching current: 1 A
- Max switching voltage: 250 Vac
- Fluid specific gravity: > 0.75

Weight

406 g

Dimension



Wiring

Float only:

- Use Connectors 1 and 2 (both WHITE wires)

Float + Thermostat:

- 1 Thermostat: BROWN wire
- 2 Float: WHITE wire
- 3 Common: ORANGE wire

LEM 1 Float without Thermostat



LEM 1 Float + Thermostat

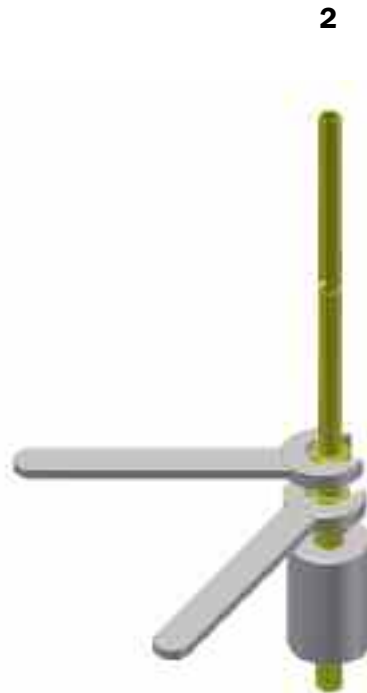


To invert the contact status from NO to NC and vice versa, simply invert the float.

Installation



1
Cut the tube to the required length.



2
Secure the level indicator to the tube by means of the ferrule system (14 mm wrench), routing the connection wires out of the part opposite to the fixing



3
Wire the connector



3
Secure the connector support to the tube by mean of the ferrule system (14 mm wrench)

Ordering information LEM

Electrical float level indicators series

LEM

Example: LEM

1	2	3	4	5	6	7	8
<input type="checkbox"/>	<input type="checkbox"/>	<input type="checkbox"/>	<input type="checkbox"/>	<input type="checkbox"/>	<input type="checkbox"/>	<input type="checkbox"/>	<input type="checkbox"/>
A	A	1	A	F	S	70	P01

1 - Tube material

A Brass

2 - Float materiale

A Nylon foam

3 - Contact

1 NC

4 - Seals

A NBR

5 - Type of fixing

F 3 hole flange

G G1" thread

6 - Electrical connection

S DIN 43650 connector

7 - Thermostat

00 Without thermostat

50 50°C N.O.

60 60°C N.O.

70 70°C N.O.

8 - Options

P01 MP Filtri standard

Pxx On request

Series LEU



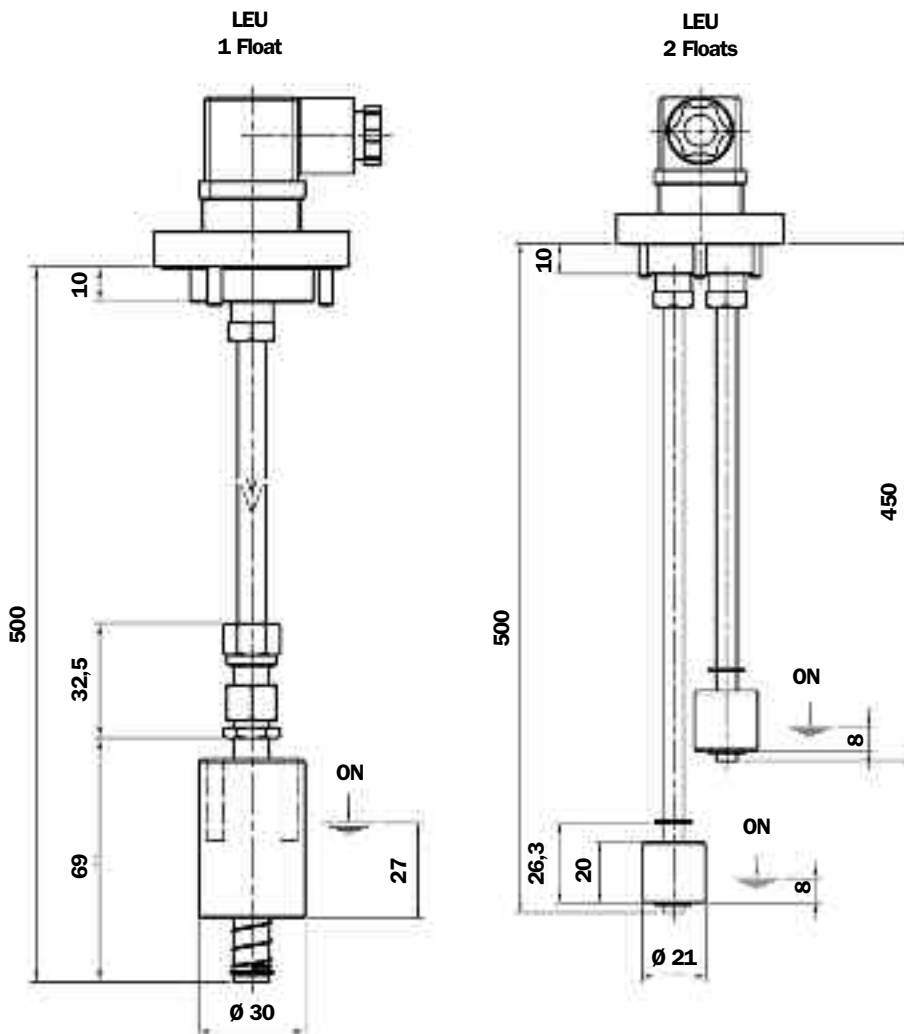
LEU (Materials)

- Flange: Aluminium
- Tube: AISI 304
- Float: Hard rubber (AISI 316 on request)
- O-Ring: NBR
- Circlip: AISI 304
- Float contact: N.C. reed (N.O. on request)
- Protection rating: IP65
- Max switching capacity: 50 W
- Max switching current: 0.5 A
- Max switching voltage: 250 Vac
- Fluid specific gravity: > 0.75

Weight

- 310 g (for 1 float)
- 415 g (for 2 floats)

Dimension



Wiring

1 Float:

- Use Connectors 1 and 2 (both WHITE wires)

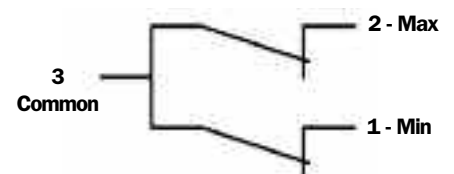
MIN and MAX floats:

- 1 Minimum: BLACK wire
- 2 Maximum: RED wire
- 3 Common: Both WHITE wires

LEU 1 Float



LEU 2 Min and Max floats

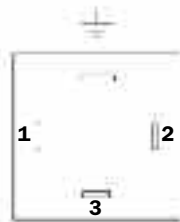


To invert the contact status from NO to NC and vice versa, simply invert the float.

1



Cut the tubes to the required length.



Wire the connector

2



Secure the level indicators to the connector support by means of the ferrule system (14 mm wrench).

Ordering information LEU

Electrical Float Level Indicators series

LEU

Example: LEU

1	2	3	4	5	6	7	8
<input type="checkbox"/>	<input type="checkbox"/>	<input type="checkbox"/>	<input type="checkbox"/>	<input type="checkbox"/>	<input type="checkbox"/>	<input type="checkbox"/>	<input type="checkbox"/>
A	1	A	1	A	F	S	P01

1 - Tube material

- A** Brass (only version 1 float)
- B** AISI 304 (only version 2 floats)

2 - Number of floats

- 1** Nr. 1 float
- 2** Nr. 2 floats

3 - Float material

- A** Nylon foam (only version 1 float)
- B** Eard rubber (only version 2 floats)
- C** AISI 316 (on request 2 floats)

4 - Contacts

- 1** NC

5 - Seals

- A** NBR

6 - Type of fixing

- F** 3 hole flange
- G** G 1" thread (only version 1 float)

7 - Electrical connection

- S** DIN 43650 connector

8 - Option

- P01** MP Filtri standard
- Pxx** On request



New Headquarters:

MP FILTRI S.p.A. Italy

Via 1° Maggio, n. 3
20060 Pessano con Bornago
(Milan) Italy
Tel. +39.02/95703.1
Fax +39.02/95741497-95740188
email: sales@mpfiltri.com
www.mpfiltri.com

GREAT BRITAIN

MP FILTRI U.K. Ltd.

Bourton Industrial Park
Bourton on the Water
Gloucestershire GL54 2HQ UK
Phone: +44.01451-822522
Fax: +44.01451-822282
email: sales@mpfiltri.co.uk
www.hydraulicparticlecounter.com
www.mpfiltri.com

GERMANY

MP FILTRI Germany GmbH

Hans - Wilhelmi - Straße 2
DE-66386 St. Ingbert
Phone: +49.(0)6894-95652-0
Fax: +49.(0)6894-95652-20
email: sales@mpfiltri.de
www.mpfiltri.com

FRANCE

MP FILTRI FRANCE Sas

Parc d'activités des Chanteraines
8 rue du Commandant d'Estienne
d'Orves, Immeuble D3
92396 Villeneuve la Garenne - France
Phone: +33(0)1.40.86.47.00
Fax: +33(0)1.40.86.47.09
email: sales@mpfiltrifrance.com
www.mpfiltri.com

USA

MP FILTRI USA Inc.

2055 Quaker Pointe Drive
Quakertown, PA 18951
Phone: +1.215-529-1300
Fax: +1.215-529-1902
email: sales@mpfiltriusa.com
www.mpfiltriusa.com

CANADA

MP FILTRI CANADA Inc.

8831 Keele Street, Concord,
Ontario L4K 2N1, Canada
Phone: +1.905-303-1369
Fax: +1.905-303-7256
email: mail@mpfiltricanada.com
www.mpfiltricanada.com

RUSSIAN FEDERATION

ITALFILTRI

Yuryevskiy Pereulok 13 a, Building 1
111020 Moscow, Russia
Phone/Fax: +7(495)220-94-60
email: mpfiltrirusia@yahoo.com
www.mpfiltri.ru

CHINA

MP FILTRI (Shanghai) Co. Ltd.

1280 Lianxi Road, 8 Bld - 2 Floor
Shanghai, Pudong
201204 P.R. China
Phone: + 86.21-58919916
Fax: + 86.21-58919667
email: sales@mpfiltrishanghai.com
www.mpfiltri.com

INDIA

MP FILTRI INDIA Pvt. Ltd.

Plot-7F, Raj Pinnacle
Beside RMZ Centennial,
Brookefield Road, Whitefield,
Bangalore 560048 - India
Phone: +91-80-4147 7444/4146 1444
Fax: +91-80-41461888
email: sales@mpfiltri.co.in
www.mpfiltri.com