

Inspection doors

OB275

Tank wall fixing holes

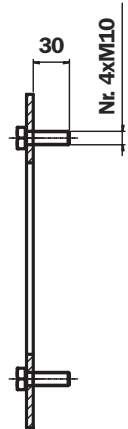
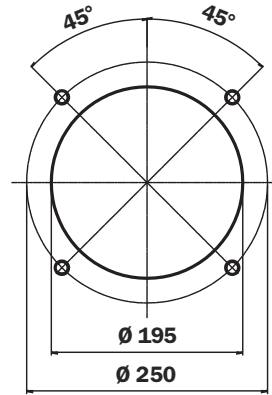
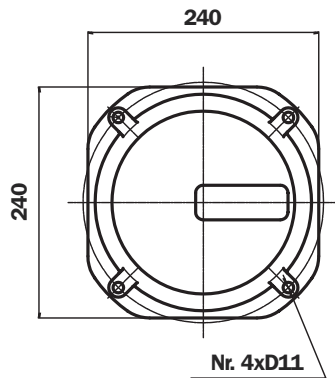


TABLE 48

Code	Weight (kg)
Door with MP Filtri OB275P01	1,76
Blank door OB275P02	
Seal GU0275NBR	
Seal FPM GU2750VTN	

OB350

Tank wall fixing holes

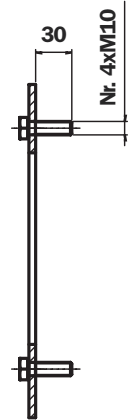
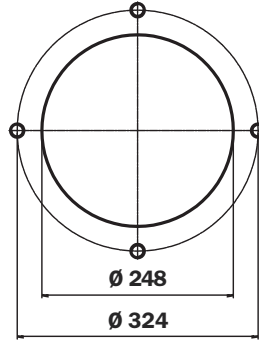
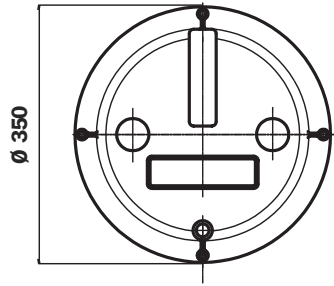


TABLE 49

Code	Weight (kg)
Door OB350DIN000	
Seal GU0350DINNBR	1,80
Seal FPM GU0350DINVTN	

OB356

Tank wall fixing holes

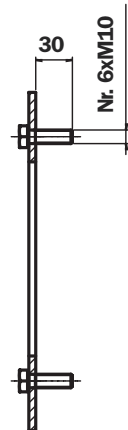
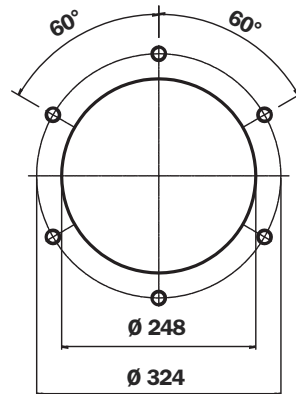
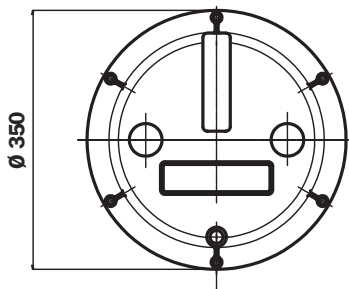


TABLE 50

Code	Weight (kg)
Door OB356DIN000	
Seal GU0350DINNBR	1,80
Seal FPM GU0350DINVTN	

OB400

Tank wall fixing holes

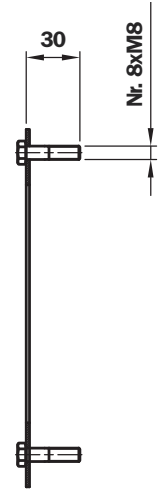
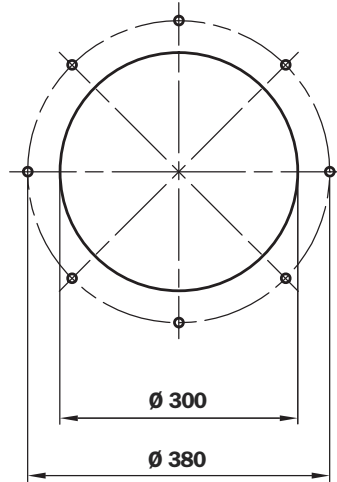
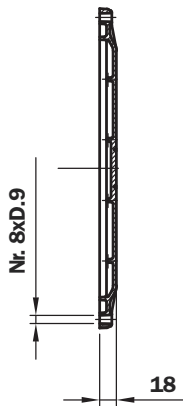
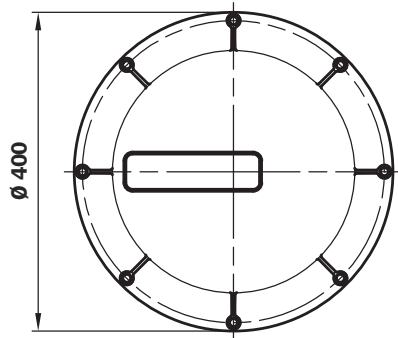


TABLE 51

Code	Weight (kg)
Door with MP Filtri OB400P01	2,90
Blank door OB400P02	
Seal GU0400DINNBR	
Seal FPM GU0400DINVTN	

OB475

Tank wall fixing holes

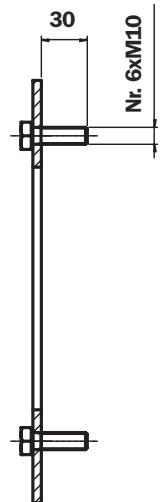
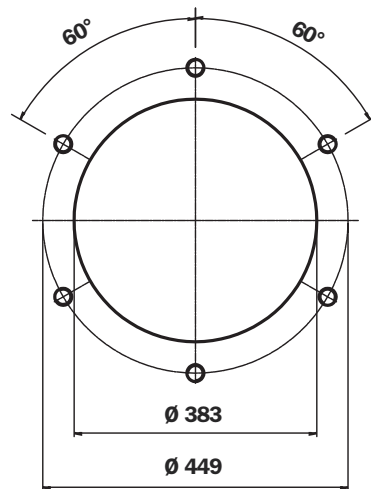
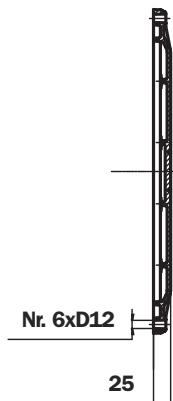
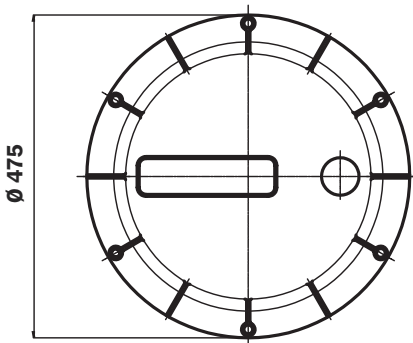


TABLE 52

Code	Weight (kg)
Door with MP Filtri OB475P01	3,40
Blank door OB475P02	
Seal GU0475DINNBR	
Seal FPM GU0475DINVTN	