

FTA -FTR series

Oil tank fixing flange



FTA - FTR GENERAL INFORMATION

Technical data

Oil tank fixing flange

FT flanges make it possible to fix suction and return lines on the reservoir cover.

Fitting a flexible insert allows separation of pipes.

Both rigid pipes and flexible hoses can be separated from the reservoir walls, absorbing vibration and reducing plant noise emissions.

Operating temperature

From -25 °C to + 100 °C

Materials

- Flange: Galvanized steel
- Flange seal: Inorganic fibre
- Tube seal: NBR
- Screw: Galvanized steel

Weight FTA

FTA 1215	0.590 kg
FTA 1620	0.570 kg
FTA 2225	0.550 kg
FTA 2630	0.530 kg
FTA 3235	0.500 kg
FTA 3842	0.520 kg
FTA 4850	0.920 kg
FTA 6061	0.900 kg
FTA 7577	0.860 kg
FTA 8789	0.830 kg

Weight FTR

FTR 0610	0.450 kg
FTR 1215	0.430 kg
FTR 1620	0.400 kg
FTR 2225	0.100 kg
FTR 2630	0.103 kg
FTR 3235	0.980 kg
FTR 3842	0.950 kg
FTR 4850	0.900 kg
FTR 6061	0.850 kg

Quantity

25 pcs/pack

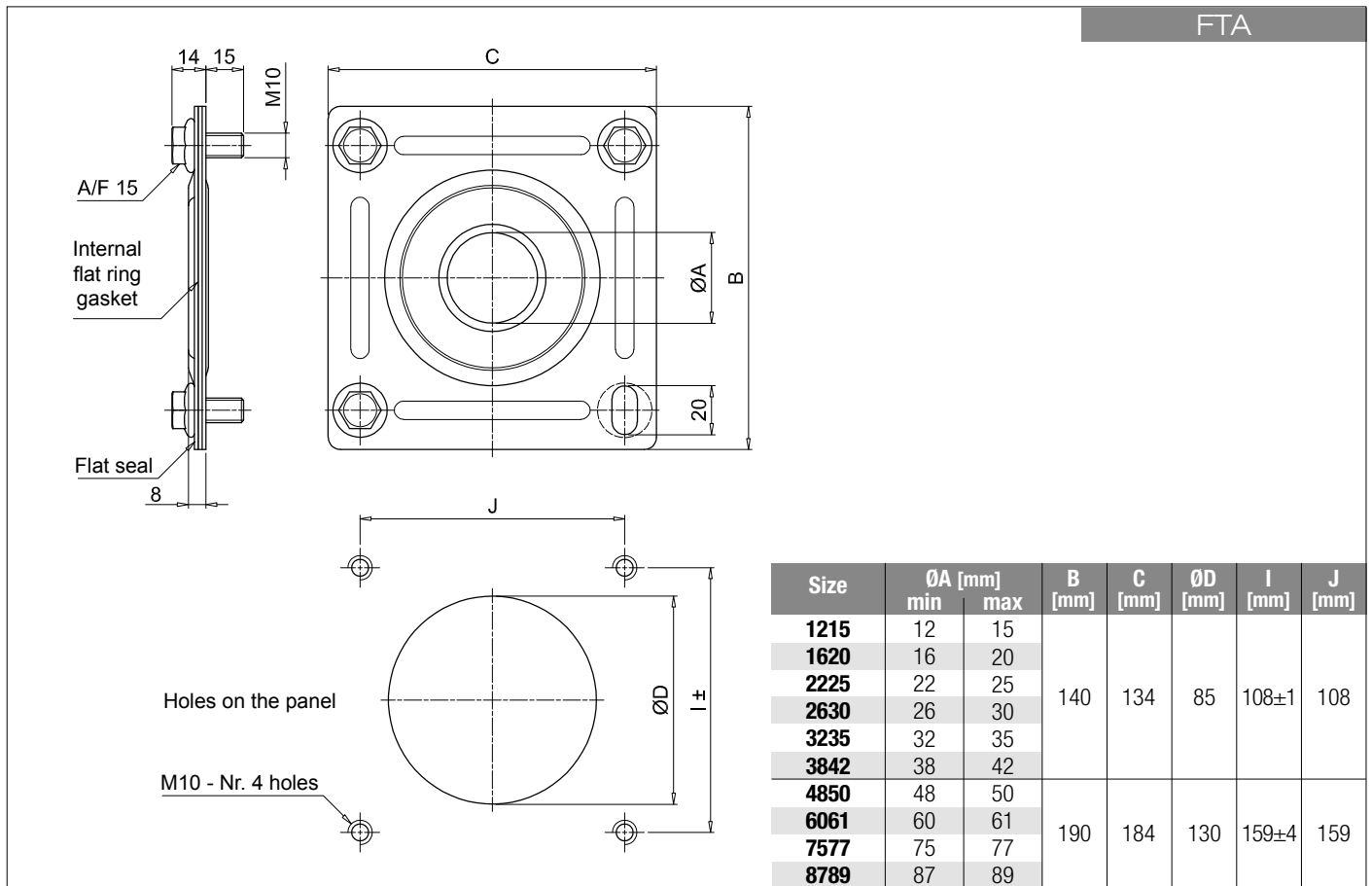


Designation & Ordering code

FTA - FTR

Series		Configuration example : FTA 2630 G A P01				
FTA	FTR					
Size		FTA	FTR			
0610	Pipe Ø06 ÷ 10 mm		•			
1215	Pipe Ø12 ÷ 15 mm	•	•			
1620	Pipe Ø16 ÷ 20 mm	•	•			
2225	Pipe Ø22 ÷ 25 mm	•	•			
2630	Pipe Ø26 ÷ 30 mm	•	•			
3235	Pipe Ø32 ÷ 35 mm	•	•			
3842	Pipe Ø38 ÷ 42 mm	•	•			
4850	Pipe Ø48 ÷ 50 mm	•	•			
6061	Pipe Ø60 ÷ 61 mm	•	•			
7577	Pipe Ø75 ÷ 77 mm	•				
8789	Pipe Ø87 ÷ 89 mm	•				
Flange seals		FTA	FTR			
G	Inorganic fiber	•				
0	Without seal		•			
Pipe seals						
A	NBR					
Execution						
P01	MP Filtri standard					
Pxx	Customized					

FTA



FTR

