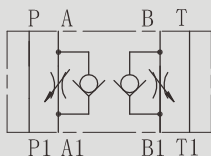


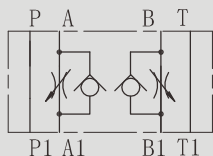
Z2FDS 型叠加式双单向节流阀

Z2FDS SERIES DOUBLE THROTTLE CHECK VALVES

符号 SYMBOL



Z2FDS/S



Z2FDS/S2

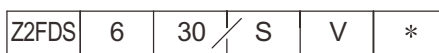


Z2FDS 型叠加式双单向节流阀通过改变节流口断面大小来调节油路流量，从而实现流量控制，在反向时，液压油直接通过单向阀回油。

Z2FDS series double throttle/check valves are used to restrict flow in one direction while allowing free-flow in the opposite direction as check valves.

▶ 技术参数 Technical data

| | | | | |
|---|---|-------------|-------------|-------------|
| 通径 Size | 6 | 10 | 16 | 22 |
| 工作压力 (MPa) Operating pressure (MPa) | 31.5 | 31.5 | 31.5 | 31.5 |
| 流量 (L/min) Flow rate (L/min) | 80 | 160 | 250 | 350 |
| 介质温度范围 (°C) Fluid temperature range (°C) | -30 ~ 80 °C | -30 ~ 80 °C | -30 ~ 80 °C | -30 ~ 80 °C |
| 重量 (千克) Weight(KGS) | 1 | 2.2 | 4.7 | 8 |
| 阀体 (材料) 表面处理 Valve body (Material) Surface treatment | 铸件 表面磷化处理 casting phosphating surface | | | |
| 油液清洁度 /Oil cleanliness | NAS1638 9 级和 ISO4406 20/18/15 级 NAS1638 class 9 and ISO4406 class 20/18/15 | | | |



型号
Model

通径: 6; 10; 16; 22
Size: 6,10,16,22

系列号 30 = 通径 6、16、22; 20 = 通径 10
Series number 30=Size 6,16,22; 20=Size 10

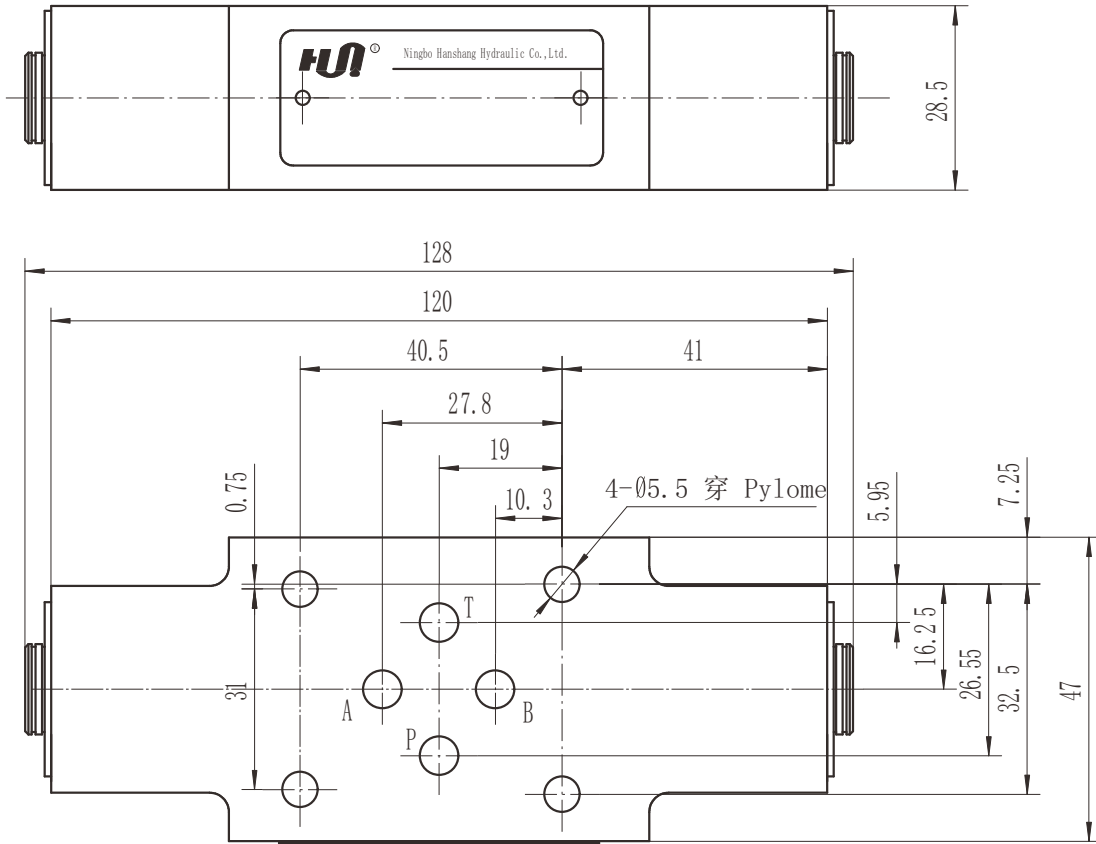
附加说明
For further details

无 = 丁腈橡胶
V= 氟橡胶

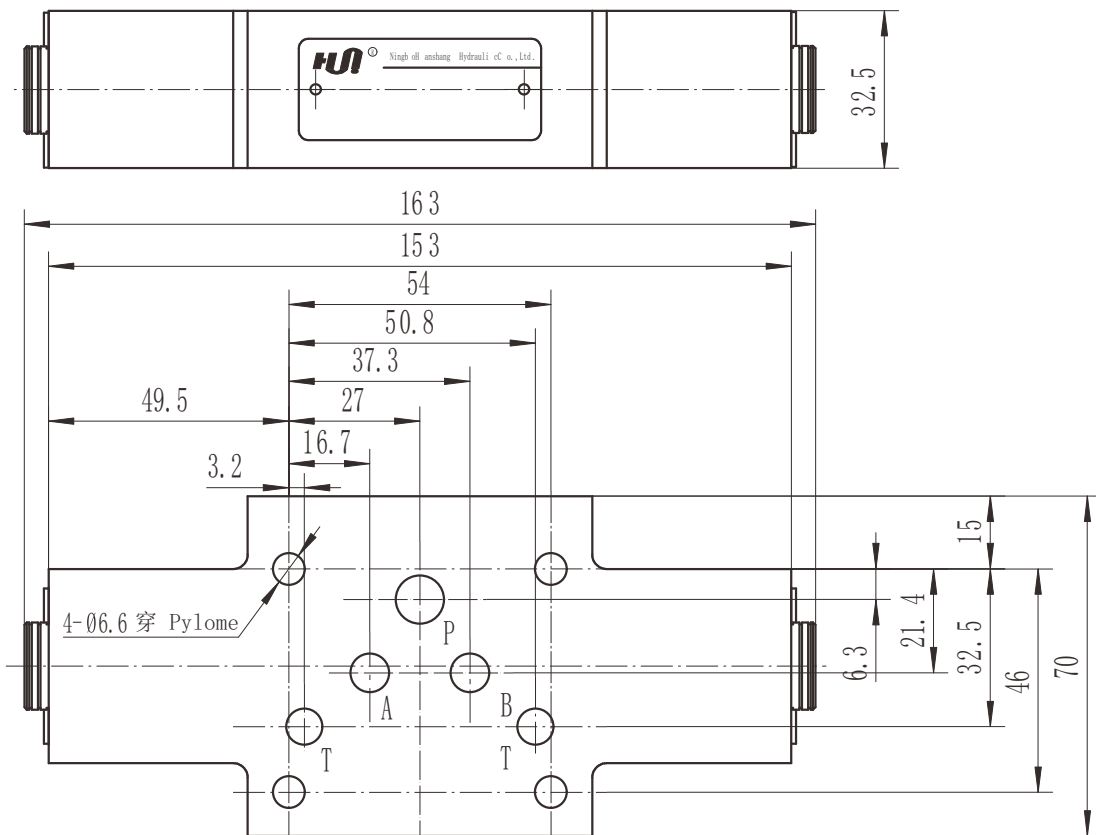
No code=NBR seals for petroleum oils
V=FPM seals for phosphate ester

S= 进口节流; S2 = 出口节流
S=Meter-in control; S2=Meter-out control

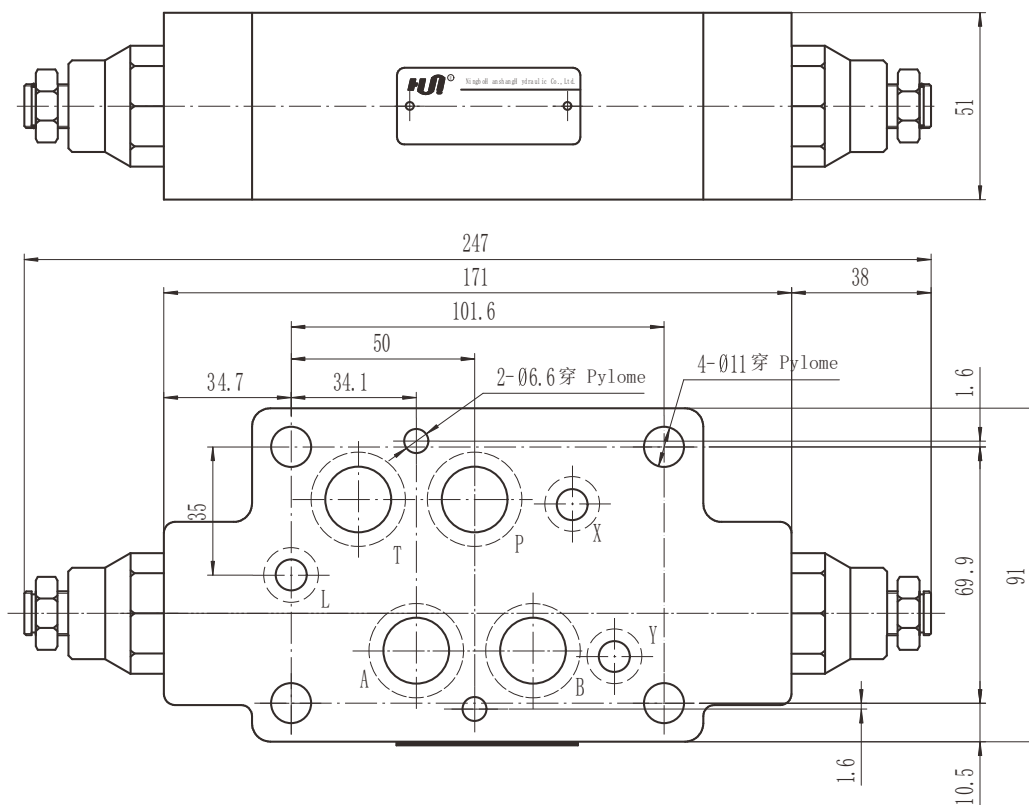
▶ Z2FDS6 外形尺寸和安装 Z2FDS6 External Dimensions and Fittings



▶ Z2FDS10 外形尺寸和安装 Z2FDS10 External Dimensions and Fittings



Z2FDS16 外形尺寸和安装 Z2FDS16 External Dimensions and Fittings



Z2FDS22 外形尺寸和安装 Z2FDS22 External Dimensions and Fittings

