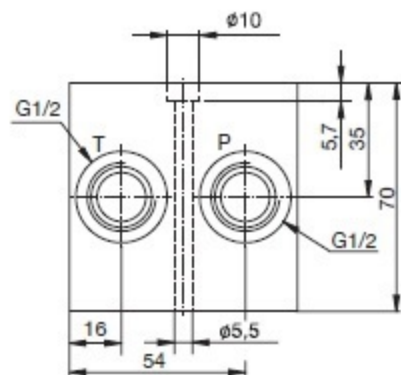


BP-6-....-S



Code	Nominal size	Stations	L1 (mm)	L2 (mm)	L3 (mm)	Ports size		Mass (kg)
						P, T	A, B	
BP-6-1-S	6	1	70	54	58	G1/2	G3/8	2,3
BP-6-2-S	6	2	120	104	108	G1/2	G3/8	3,9
BP-6-3-S	6	3	170	154	158	G1/2	G3/8	5,5
BP-6-4-S	6	4	220	204	208	G1/2	G3/8	7,2
BP-6-5-S	6	5	270	254	258	G1/2	G3/8	8,8
BP-6-6-S	6	6	320	304	308	G1/2	G3/8	10,5
BP-6-7-S	6	7	370	354	358	G1/2	G3/8	12,1
BP-6-8-S	6	8	420	404	408	G1/2	G3/8	13,7

