

MBR 疊加型減壓閥

Modular Pressure
Reducing Valve



■ MBR-02-A-1-K-2H-50-C



■ MBR-03-A-3-K-50-C

特性

疊加型減壓閥MBR適用於一個系統同時需要不同壓力的應用，且具有有兩個(或以上)液壓迴路壓力相同的需求。通過調節，將進油口壓力減至某一需要的出油口壓力，並依靠介質本身的能量，使出口壓力自動保持穩定。

應用

MBR可運用在各類液壓機械中

- 工具機產業：CNC車床、CNC銑床、CNC帶鋸機、圓鋸機。
- 各類鑽孔專用機、攻牙專用機。
- 折彎機產業：CNC彎管機、沖弧機械。
- 各類產業機械如剪折床、注塑機、各式專業加工中心，夾治具、高低壓泵迴路，鞋機(前後幫機、壓底機、裁斷機)、平面研磨機。

FEATURE

Modular Pressure Reducing Valve Series(MBR) reduces the inlet pressure to a certain required outlet pressure through adjustment, and relies on the energy of the medium itself to automatically keep the outlet pressure stable. It is suitable for applications where a system requires different pressure outputs at the same time, and there is a requirement that two (or more) hydraulic circuits have the same pressure requirements.

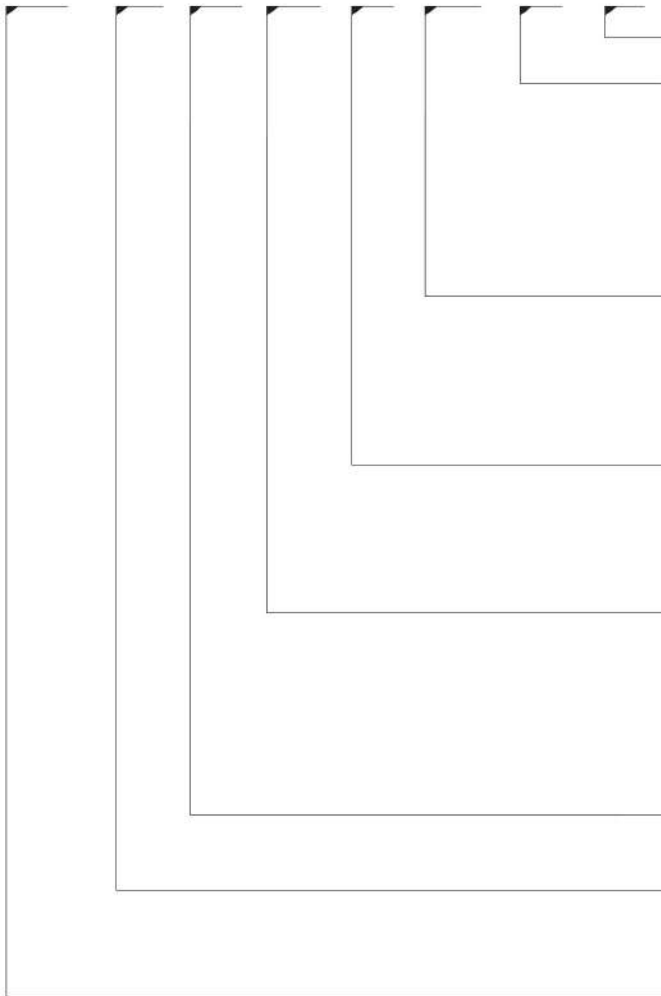
APPLICATION

- Machine tool industry: CNC lathes, CNC milling machines, CNC band saws, circular saws.
- Drilling machines, special tapping machines.
- Bending machine industry: CNC pipe bending machine, arc punching machine.
- Various industrial machinery such as shears, injection molding machines, various professional tool processing centers, clamps, high and low pressure pump circuits, shoemaking machines, plane grinder. Etc.

型號編碼

MODEL CODE

MBR 02 P 1 K * 50 C



設計編號 Design No.

調整把手方向 Knob Direction

02: 1/4"

03: A/P 50: B孔側 B Port Side

02-A/P | 50: B孔側 B Port Side
51: A孔側 A Port Side

02-B | 51: B孔側 B Port Side
50: A孔側 A Port Side

把手長度 Screw length(mm)

02 | * : 標準品 standard
2H(without 1S; 無1S款)
3H (1S: 1.5-35 bar)
4H (1S: 1.5-35 bar)

03 | * : 標準品 Standard

調節型式 Adjusting Type

02 | K : 旋鈕(標準型) Knob(Standard Type)
M10 : 無旋鈕 Without Knob

03 | K : 旋鈕(標準型) Knob(Standard Type)

壓力調整範圍 Pressure Adjusting Range (bar)

02	1S : 1.5-35	03	1 : 8-70
	1a : 26-31		2 : 8-140
	1 : 3-35		3 : 10-250
	2 : 8-70		
	3 : 10-250		

控制孔 Control Port

P : P孔 P port A : A孔 A port B : B孔 B port

通徑 Port Size

02 : 1/4"
03 : 3/8"

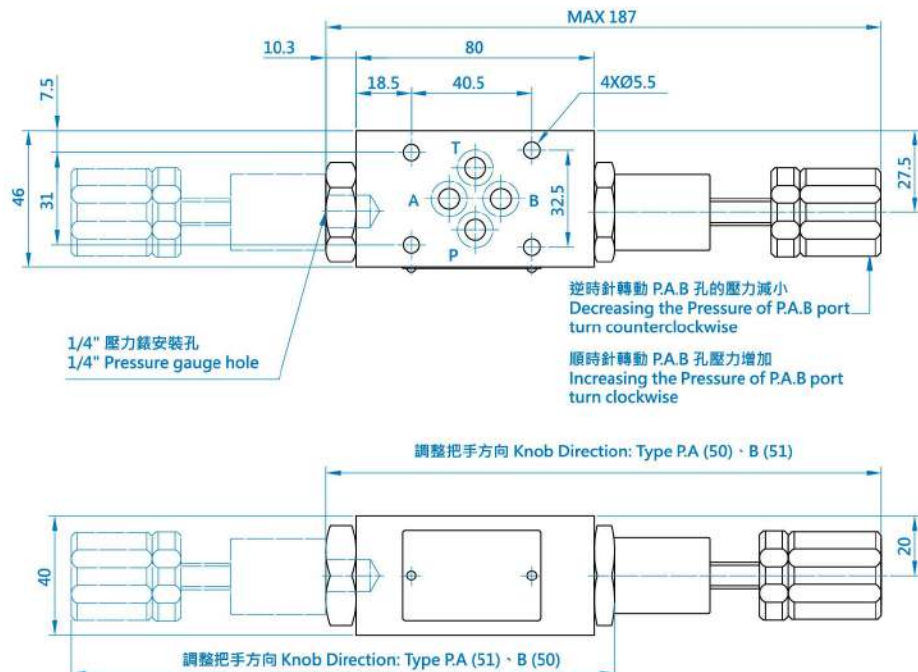
產品系列 Product Series

MBR : 疊加型減壓閥 Modular Pressure Reducing Valve Series

外型尺寸

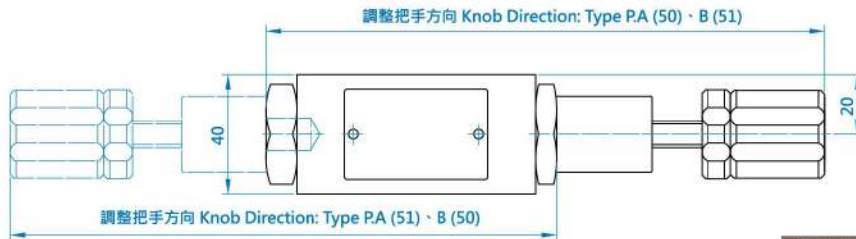
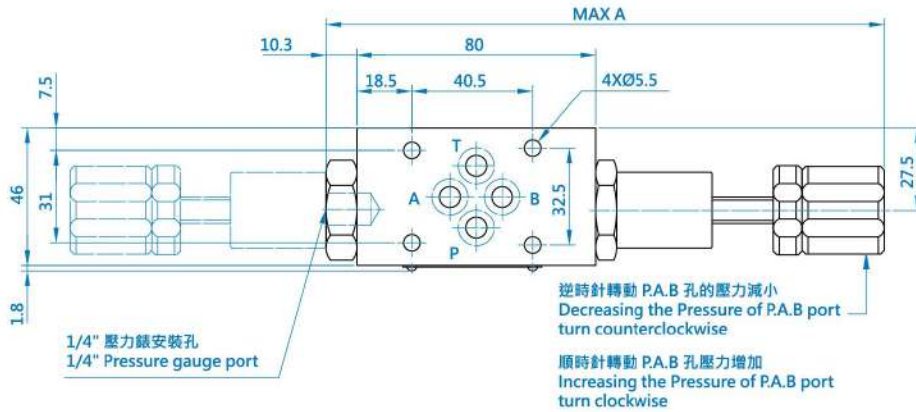
MEASUREMENT

MBR-02-P.A.B



單位Unit: mm

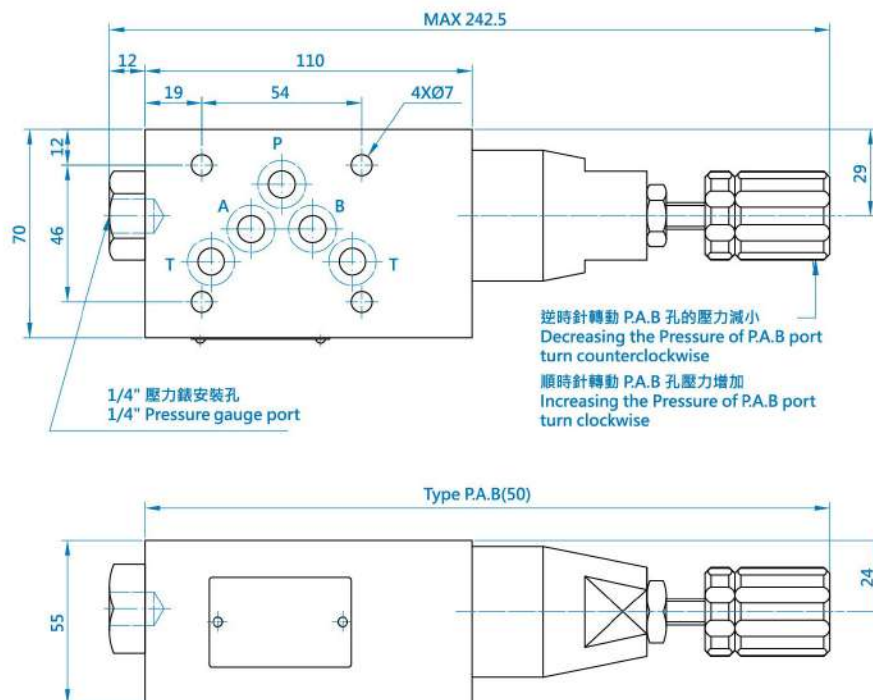
MBR-02-P.A.B-2H.3H.4H



型式 MODEL	A
MBR-02-2H	218.3
MBR-02-3H	245.3
MBR-02-4H	274.3

單位Unit: mm

MBR-03-P.A.B



單位Unit: mm