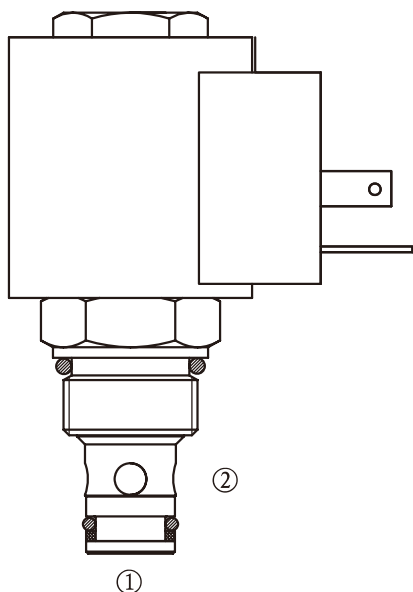


HSV08-20

二位二通电磁阀 常闭型

Normally-Closed, Two-Way, Two-Position Pilot-Operated Cartridge Solenoid Valve



OPERATION

工作原理

When de-energized, the valve acts as a check valve, allowing flow from ① to ②, while blocking flow from ② to ①.

When energized, the poppet lifts to open the ② to ① flow path.

当电磁铁不通电时，①到②相当于单向阀，②到①关闭；

当电磁铁通电时，②到①开启。

Operation of Manual Override Option: To override, push button in, twist counterclockwise and release. In this position, the valve will remain open.

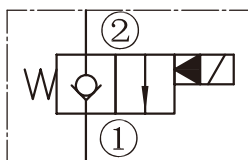
To return to normal operation, push button in, twist clockwise and release. Override will be detented in this position.

先推进按钮，然后逆时针方向旋转，释放。此时阀口打开；

返回到常态推进按钮，然后顺时针方向旋转，释放。旋钮将被固定在这位置。

SYMBOL

机能符号



FEATURES

特性

- Continuous-duty solenoid. · 可持续工作的电磁铁。
- Efficient wet-armature construction. · 高效能的电磁铁结构。
- Optional coil voltages and terminations. · 可选择的线圈电压和终端。
- Manual override option. · 可带手动卸荷。
- Industry common cavity. · 工业通用插孔。
- Compact size. · 结构紧凑。

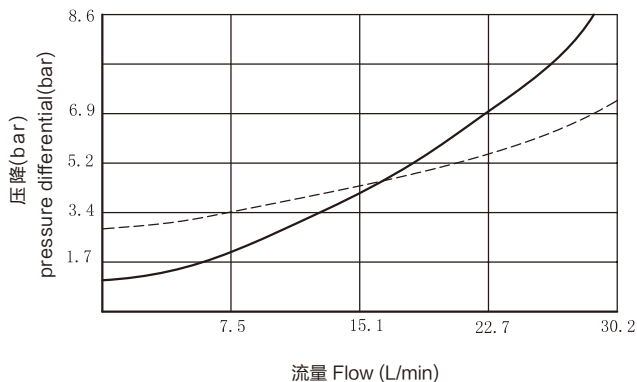
PRESSURE DROP VS. FLOW

性能图

② to ① ——— Energized: 通电

① to ② - - - - De-Energized: 不通电

38°C时150 ssu/32 cSt的油液 150 ssu/32 cSt Oil at 38°C



SPECIFICATIONS

技术参数

最大工作压力 Max. operating pressure: 207 Bar

流量 Flow rate (L/min): 参见性能图 See Pressure Drop Vs. Flow graph

内泄漏 Internal Leakage: 3 drops/min. Max at 207 Bar

介质温度范围(°C) Fluid temperature range(°C): -30 ~ +120

线圈电压范围 Coil Rating: 90% - 110% Of rated Voltage

过滤 Filtration: Critical Application - ISO 18/16/13

Non-Critical Application - ISO 19/17/14

介质 Fluids: 矿物油。其它流体的选择请咨询工厂。

Mineral-based fluids.

For other fluid compatibility consult factory.

插孔 Cavity: 08-2

阀块材料 Body Material:

6061-T6铝，允许使用最大压力20.7MPa

Anodized 6061-T6 aluminum alloy rated at 20.7MPa

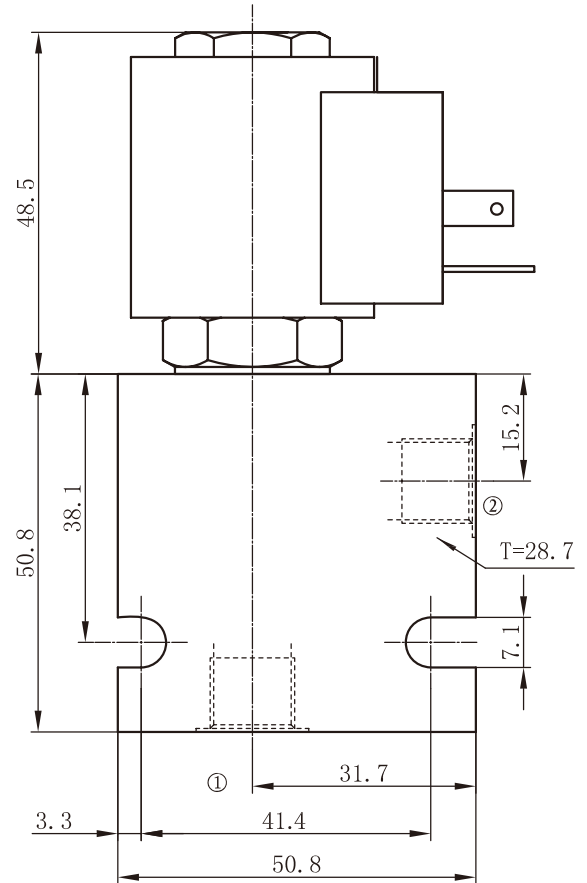
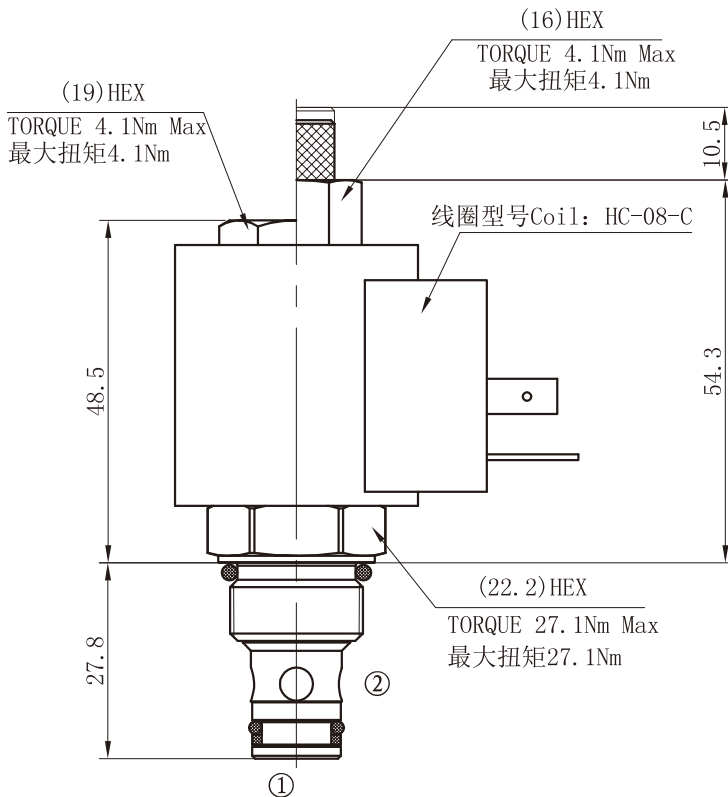
钢材允许使用最大压力35MPa

Steel rated at 35MPa

INSTALLATION DIMENSIONS 安装尺寸

Coil Must Be Installed With Lettering Up
安装线圈时，字母必须朝上。

Unit=Millimeters



HSV08-20- * - * - * - * - * - *

电磁阀 Solenoid Valve

S=Screen 过滤网
Omit for standard 省略为常规

M=Manual Override 手动卸荷
Omit for standard 省略为常规

油封 Seal Kits
无 = 丁晴橡胶 (标准型)
Omit for Buna N (standard)

VOLTAGE 电压
1=12V Volt DC
2=24V Volt DC
3=110V Volt AC
4=220V Volt AC

BODY PORTING 阀块油口

4T=SAE4
6T=SAE6
2G=G1/4
3G=G3/8
Other Porting is Available
其它螺纹油口也是可以选的
(Omit for Cartridge only
省略为不带阀块)

COIL CONNECTION 线圈连接

D=Double Lead 双线
H=Hirschmann 三插
ER=Deutsch Connector
(Water proof Coil)
德意志插座 (防水线圈)