

BI-METAL THERMOMETERS



APPLICATIONS

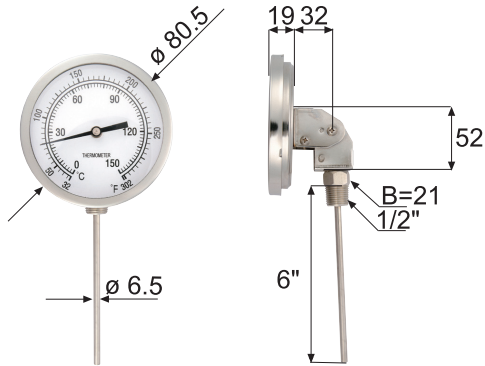
Transformer dyeing, drier, food processing, boiler, air conditioning equipment, and other industrial machines

SPECIFICATIONS

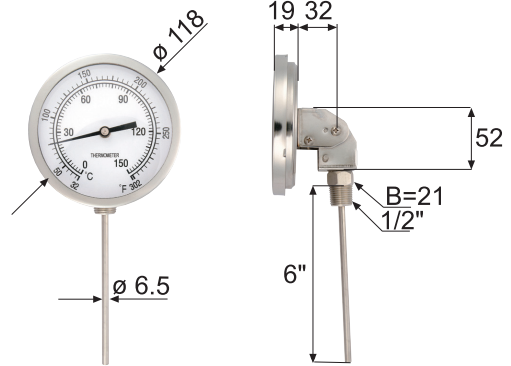
CONTENTS

DIMENSION	26.5mm, 35mm, 50.6mm, 65mm, 80.5mm, 118mm, 130mm, 160mm
CASE	AISI 304
SENSOR STEM MATERIAL	AISI 304 or AISI 316
DIAL	White aluminium, black lettering
TEMPERATURE	-50~+600°C
O.D. OF SENSOR STEM	Standard: \varnothing 6.5mm, range 4~12mm
LENGTH OF SENSOR STEM	2"~25"
ACCURACY	\pm 1.0%

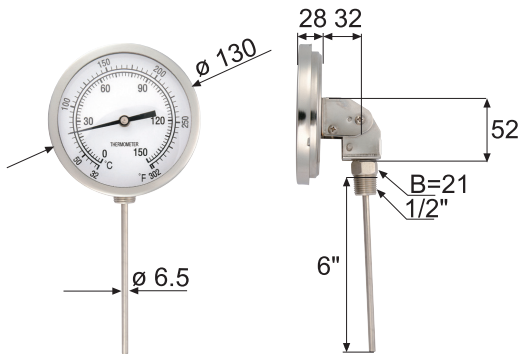
BI-METAL THERMOMETERS



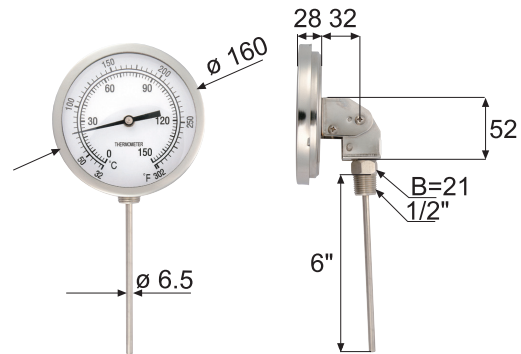
BA-3



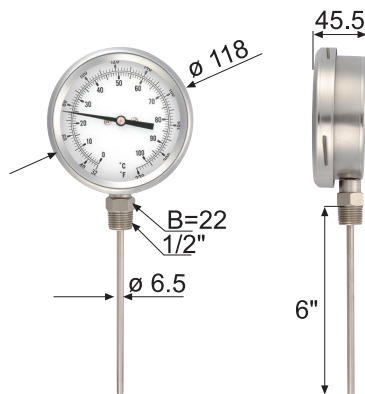
BA-4



BA-5



BA-6



BS-4