

RF2 series

Maximum working pressure up to 2 MPa (20 bar) - Flow rate up to 350 l/min



Description

Technical data

Return filter

Maximum working pressure up to 2 MPa (20 bar)
Flow rate up to 350 l/min

RF2250 and RF2350 are ranges of return filters for side tank mounting with integrated shut-off valve for protection of the reservoir against the system contamination.

They are placed below the minimum oil level, directly connected to the return line of the system.

The shut-off valve closes automatically when the cover is removed, allowing the filter element replacement without the fluid drop.

Available features:

- Female threaded connections up to 1" and flanged connections up to 1 1/2", for a maximum flow rate of 350 l/min
- Bypass valve, to relieve excessive pressure drop across the filter media
- Magnetic column, to hold the ferrous particles
- Visual, electrical and electronic clogging indicators

Common applications:

- Compact mobile machines
- Compact industrial equipment

Filter housing materials

- Filter body: Aluminium
- Cover: Polyamide, GF reinforced
- Valve: Polyamide, GF reinforced - Steel
- Anti-Emptying valve: Steel

Bypass valve

Opening pressure 175 kPa (1.75 bar) \pm 10%

Δp element type

- Microfibre filter elements - series CU: 10 bar
- Fluid flow through the filter element from OUT to IN

Seals

- Standard NBR series A
- Optional FPM series V

Temperature

From -25 °C to +110 °C

Note

RF2 250-350 filters mounting, see the drawings on page 235 and following



Weights [kg] and volumes [dm³]

Filter series	Weights [kg]		Volumes [dm ³]	
	Length	1	Length	1
RF2 250		2.6		2.0
RF2 350		2.8		2.0

Filter series	Length	Filter element design - N Series							
		A03	A06	A10	A16	A25	M25 M60 M90	P10	P25
RF2 250	1	148	184	278	307	447	615	447	485
RF2 350	1	148	184	278	307	447	615	447	485

Maximum flow rate for a complete return filter with a pressure drop $\Delta p = 0.5$ bar.

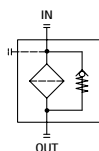
The reference fluid has a kinematic viscosity of 30 mm²/s (cSt) and a density of 0.86 kg/dm³.

For different pressure drop or fluid viscosity we recommend to use our selection software available on www.mpfiltri.com.

You can also calculate the right size using the formulas present on the FILTER SIZING paragraph at the beginning of the full catalogue or at the beginning of the filter family brochure. Please, contact our Sales Department for further additional information.

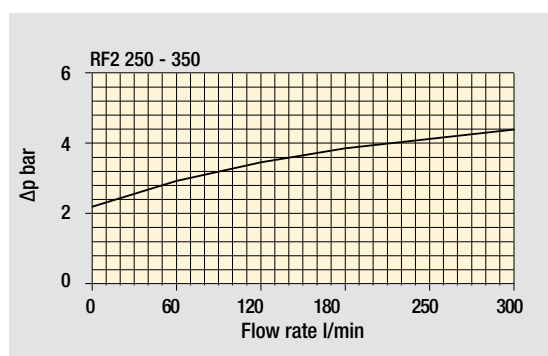
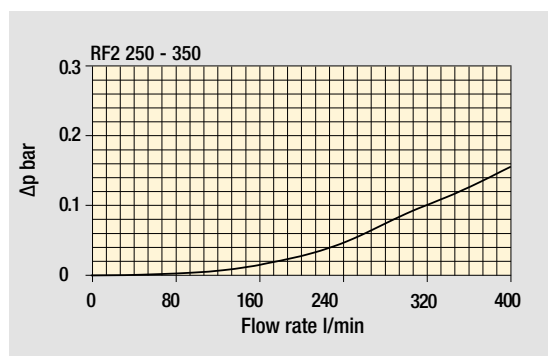
Filter series	Style B - E
RF2 250	•
RF2 350	•

Hydraulic symbols



Pressure drop

Filter housings Δp pressure drop



Bypass valve pressure drop

The curves are plotted using mineral oil with density of 0.86 kg/dm³ in compliance with ISO 3968. Δp varies proportionally with density.

RF2 RF2250 - RF2350

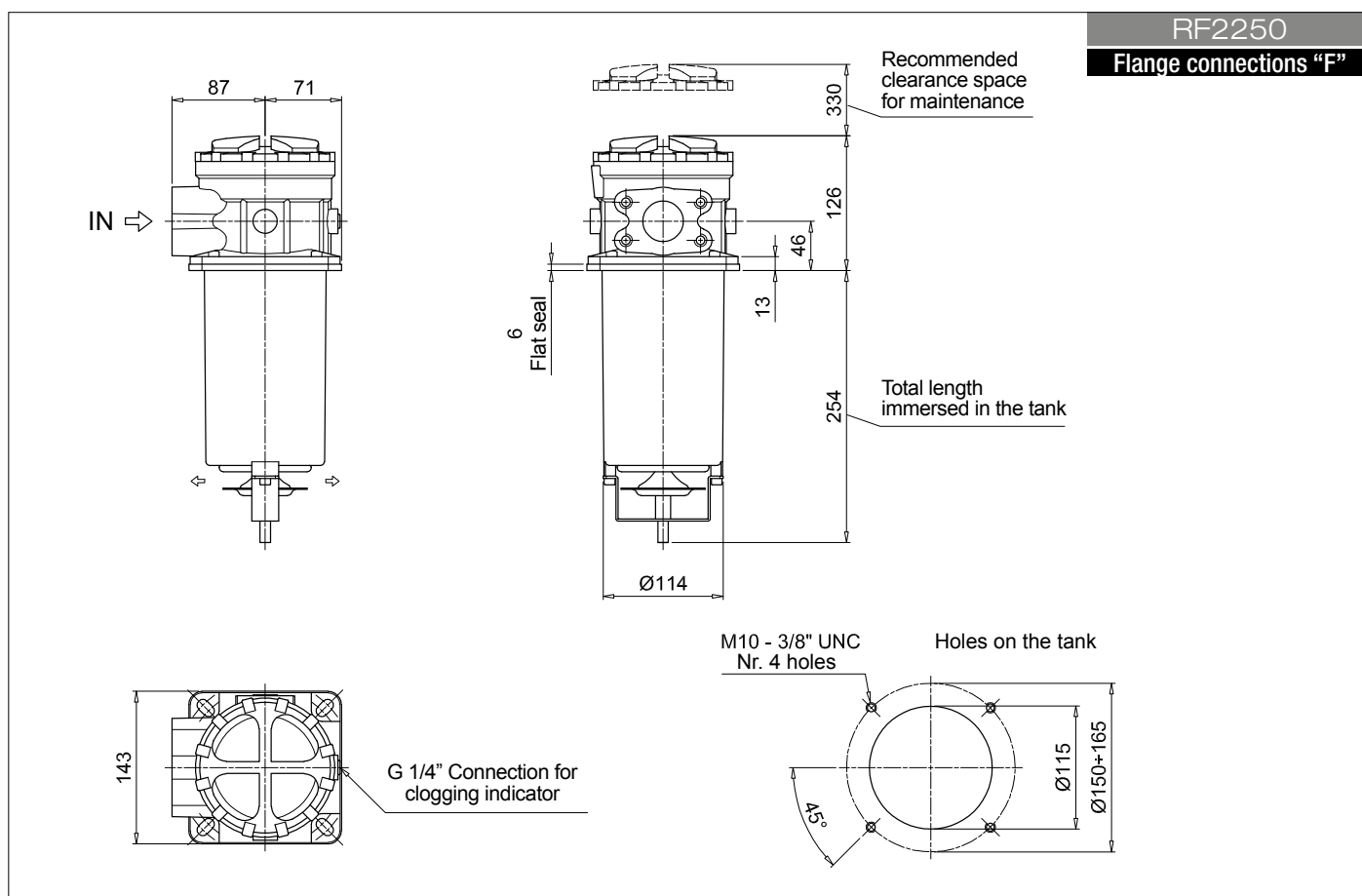
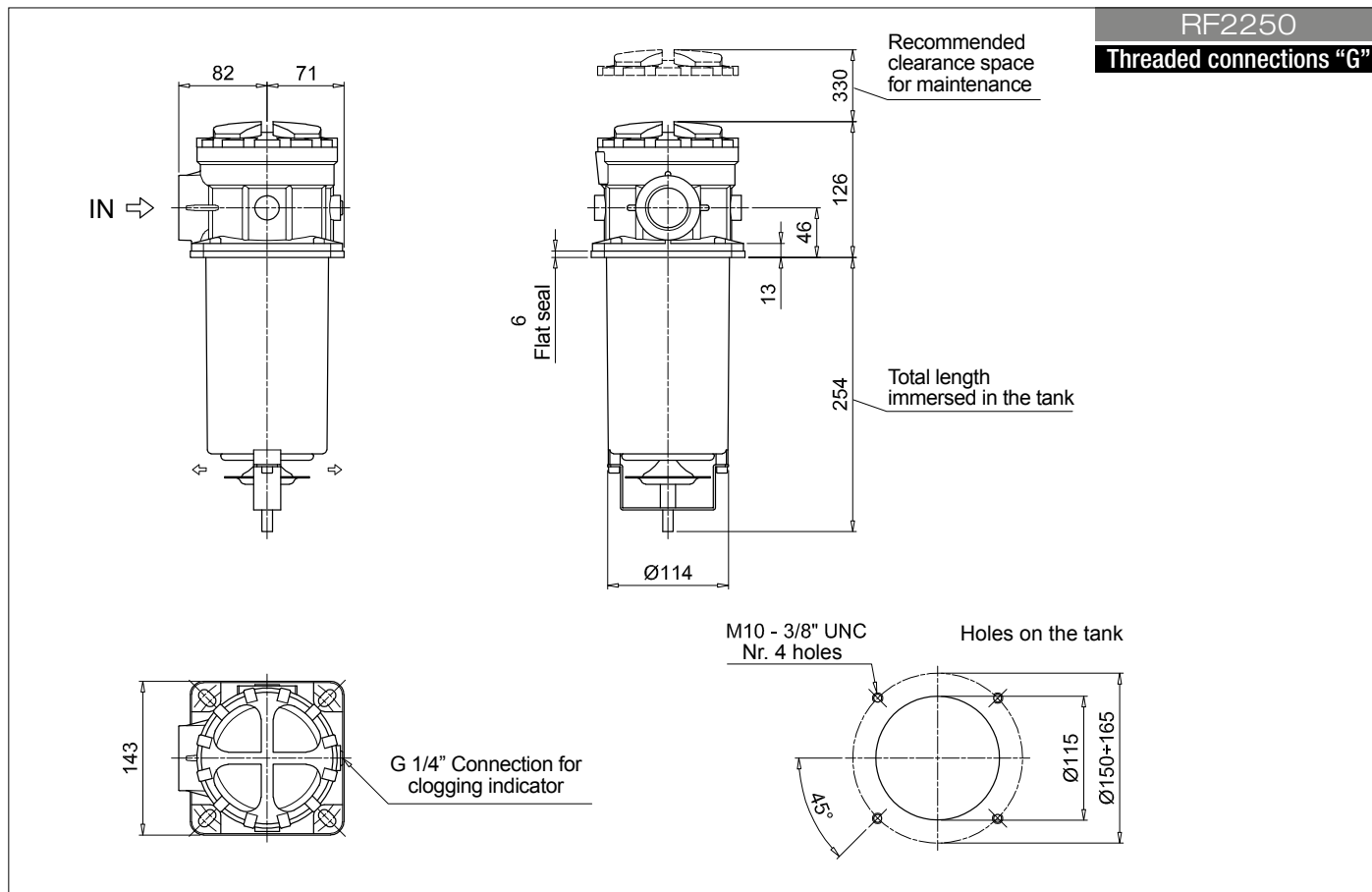
Designation & Ordering code

COMPLETE FILTER

Series and size				Configuration example 1: RF2250 W F2 E M25 P01					
RF2250				Configuration example 2: RF2350 A G1 B A25 P01					
RF2350									
				Filtration rating					
Seals and treatments				Axx	Mxx	Pxx			
A	NBR			•	•	•			
V	FPM			•	•	•			
W	NBR compatible with fluids HFA-HFB-HFC			•	•				
Z	FPM compatible with fluids HFA-HFB-HFC			•	•				
Connections				Aux (only RF2350)		Mxx	Pxx		
G1	G 1 1/2"			G 1"		•	•		
G2	1 1/2" NPT			-		•			
G3	SAE 24 - 1 7/8" - 12 UN			SAE 16 - 1 5/16" - 12 UN		•	•		
G4	G 1 1/4"			-		•			
G5	1 1/4" NPT			-		•			
G6	SAE 20 - 1 5/8" - 12 UN			-		•			
G7	G 1"			-		•			
G8	1" NPT			-		•			
G9	SAE 16 - 1 5/16" - 12 UN			-		•			
F1	1 1/2" SAE 3000 psi/M			-		•			
F2	1 1/2" SAE 3000 psi/UNC			-		•			
Bypass valve									
B	1.75 bar								
E	3 bar								
Filtration rating (filter media)									
A03	Inorganic microfiber	3 µm		M25	Wire mesh	25 µm			
A06	Inorganic microfiber	6 µm		M60	Wire mesh	60 µm			
A10	Inorganic microfiber	10 µm		M90	Wire mesh	90 µm			
A16	Inorganic microfiber	16 µm		P10	Resin impregnated paper	10 µm			
A25	Inorganic microfiber	25 µm		P25	Resin impregnated paper	25 µm			
				Execution					
				P01 MP Filtri standard					
				Pxx Customized					

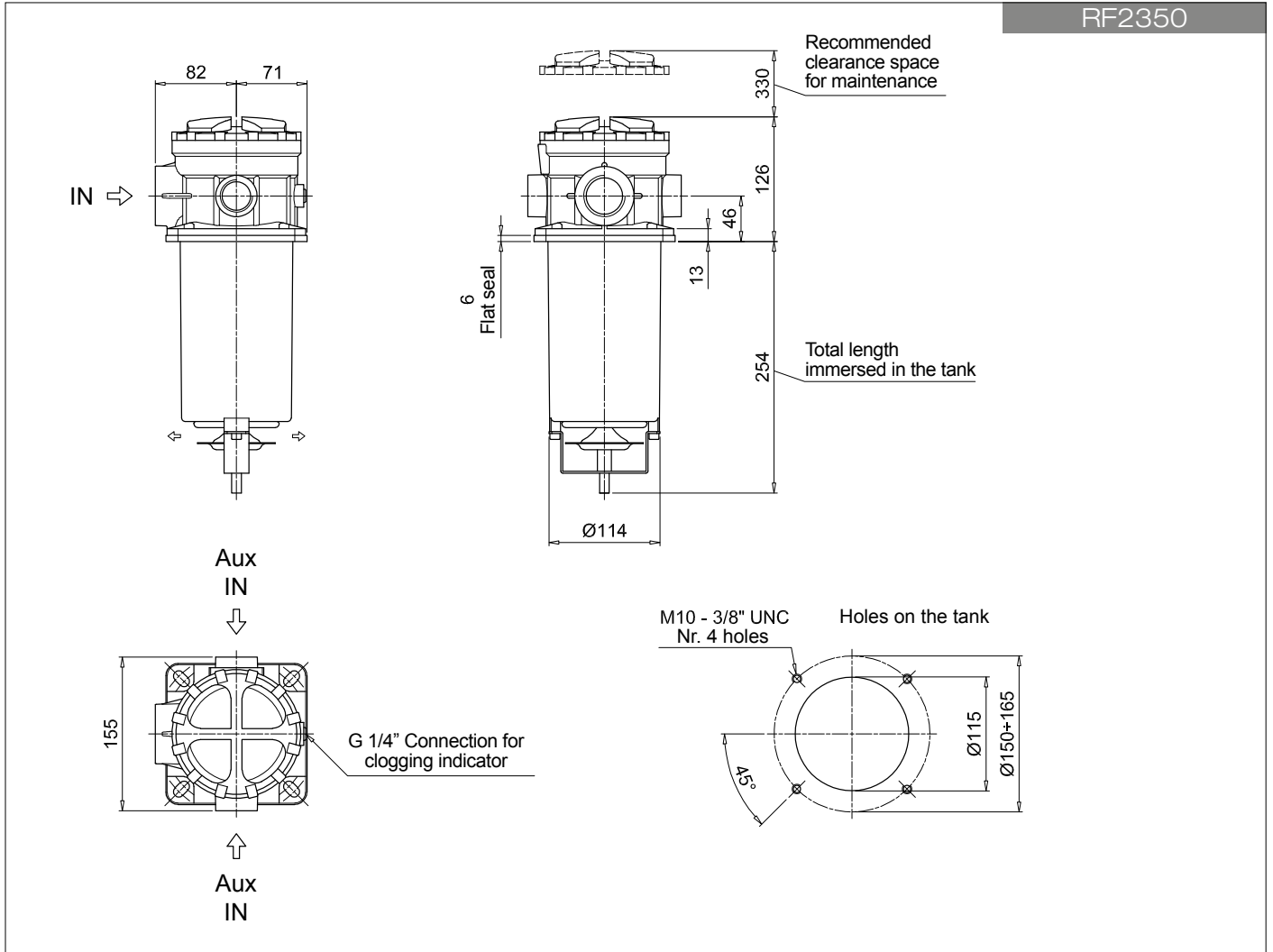
FILTER ELEMENT

Element series and size				Configuration example 1: CU250 M25 W P01					
CU250				Configuration example 2: CU250 A25 N P01					
Filtration rating (filter media)									
A03	Inorganic microfiber	3 µm		M25	Wire mesh	25 µm			
A06	Inorganic microfiber	6 µm		M60	Wire mesh	60 µm			
A10	Inorganic microfiber	10 µm		M90	Wire mesh	90 µm			
A16	Inorganic microfiber	16 µm		P10	Resin impregnated paper	10 µm			
A25	Inorganic microfiber	25 µm		P25	Resin impregnated paper	25 µm			
Seals and treatments				Filtration rating					
				Axx	Mxx	Pxx			
N	NBR			•	•	•			
V	FPM			•	•	•			
W	NBR head anodized	filter element compatible with fluids HFA-HFB-HFC		•	•				
Z	FPM head anodized	filter element compatible with fluids HFA-HFB-HFC		•	•				
				Execution					
				P01 MP Filtri standard					
				Pxx Customized					

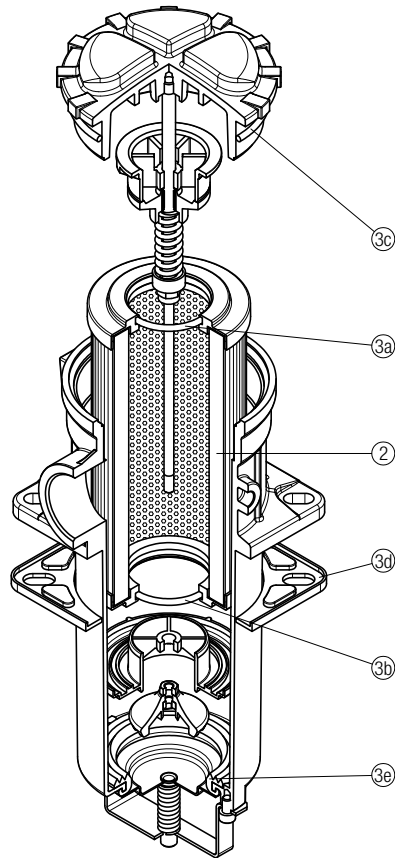


RF2 RF2250 - RF2350

Dimensions



RF2 250 - 350



Item:	Q.ty: 1 pc.	Q.ty: 1 pc.	
Filter series	Filter element	Seal Kit code number	
		NBR	FPM
RF2 250	See order table	02050586	02050587
RF2 350			