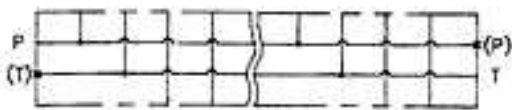


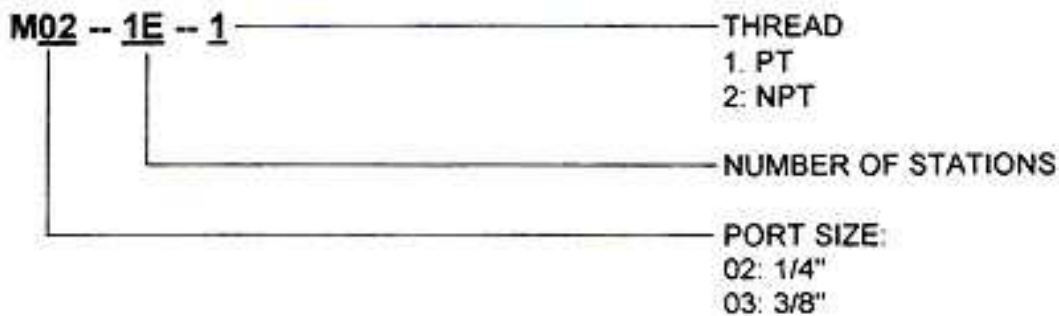
# BASE PLATES FOR MODULAR VALVES

## M02 & 03 BASE PLATES

### SYMBOL



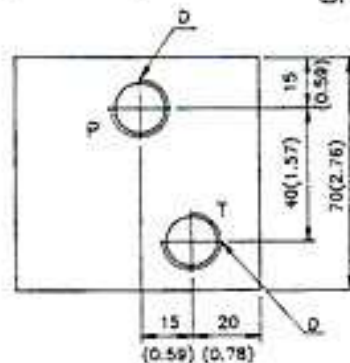
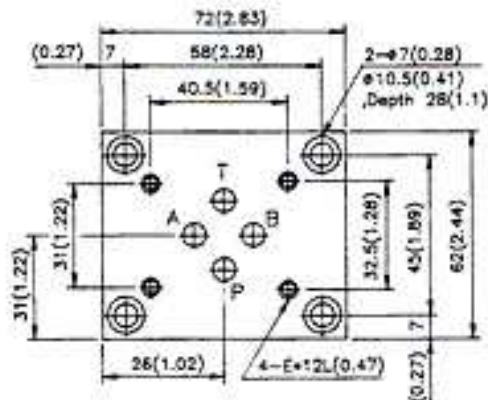
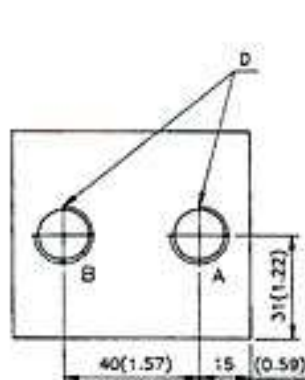
### ORDERING CODE



### DIMENSIONS

UNIT: MM (INCH)  
WEIGHT: 2.1KGS

M02-1E-



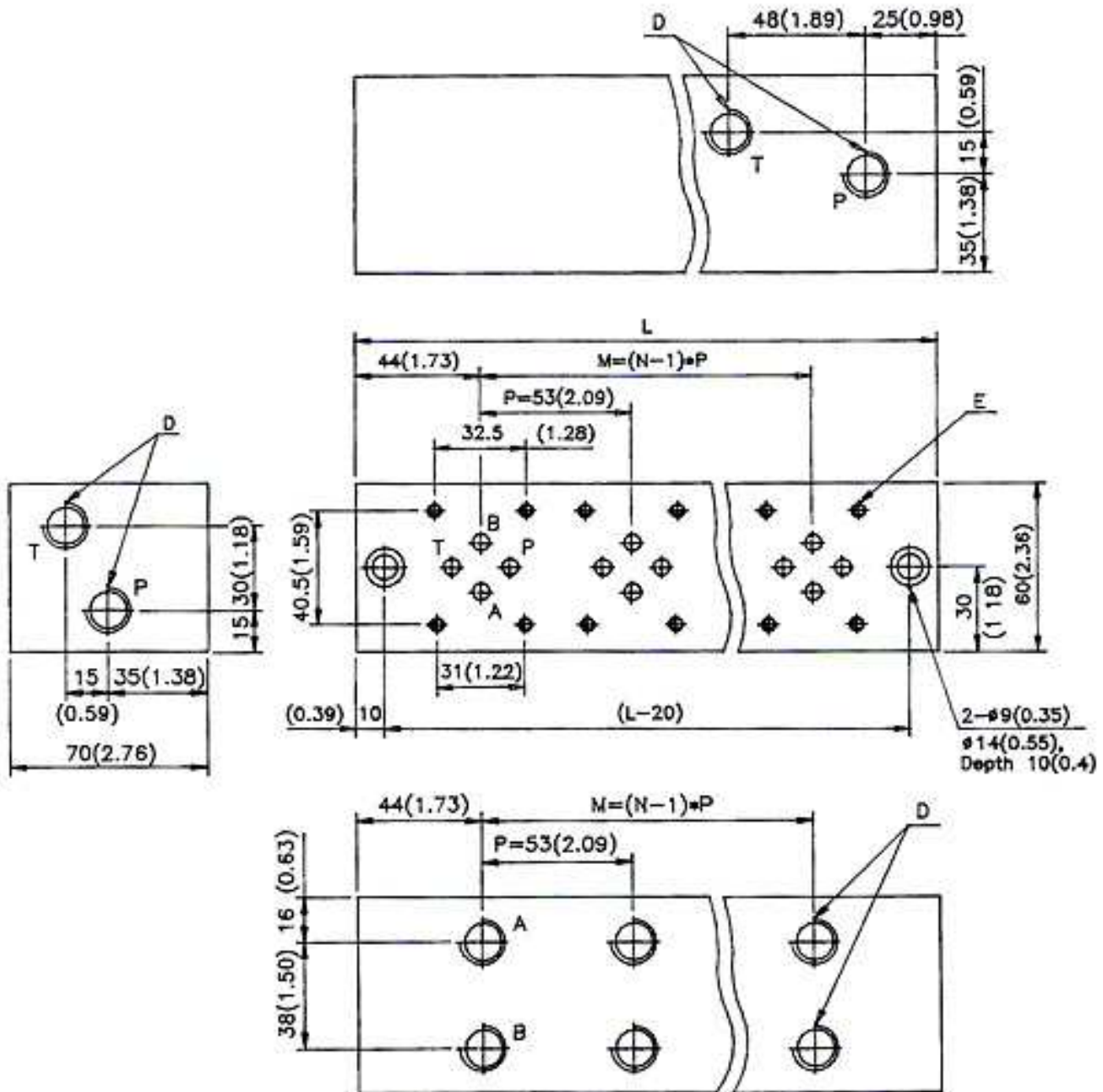
MODEL	D	E
M02-1E-	1 PT3/8"	M5×0.8P
	2 NPT3/8"	#10-24UNC

# M02 BASE PLATE SERIES

## DIMENSIONS

UNIT: MM (INCH)

M02-E-



型 式	D	E	N	M	L	WEIGHT : kgs(Lbs)
M02-2E-	1 PT3/8"	M5×0.8P	2	53	141	4.6
	2 NPT3/8"	#10-24UNC		(2.09)	(5.55)	(10.1)
M02-3E-	1 PT3/8"	M5×0.8P	3	106	194	6.3
	2 NPT3/8"	#10-24UNC		(4.17)	(7.64)	(13.9)
M02-4E-	1 PT3/8"	M5×0.8P	4	159	247	8.1
	2 NPT3/8"	#10-24UNC		(6.26)	(9.72)	(17.8)
M02-5E-	1 PT3/8"	M5×0.8P	5	212	300	10.0
	2 NPT3/8"	#10-24UNC		(8.35)	(11.81)	(22.0)
M02-6E-	1 PT3/8"	M5×0.8P	6	265	353	11.8
	2 NPT3/8"	#10-24UNC		(10.43)	(13.90)	(26.0)
M02-7E-	1 PT3/8"	M5×0.8P	7	318	406	13.6
	2 NPT3/8"	#10-24UNC		(12.52)	(15.98)	(30.0)