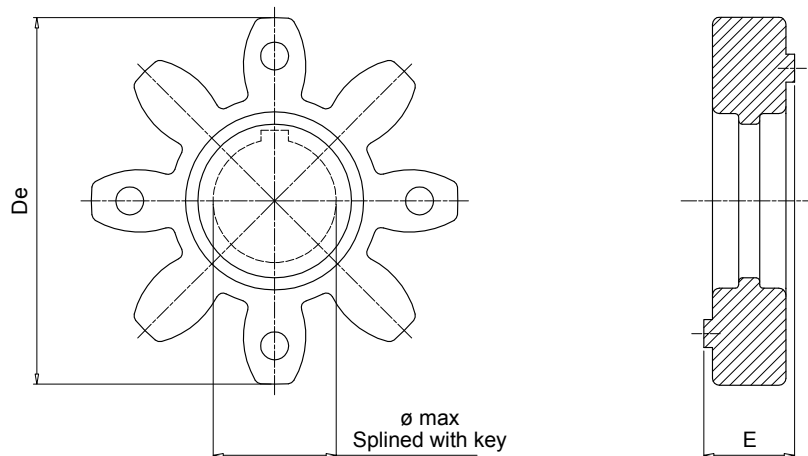


Notes:

Made of black oil-resistant rubber, these components serve to interconnect the two halves (motor - pump) of a flexible coupling.

EGE** series

| Code | Half-coupling code | Dimensions [mm] | | | Nominal torque Nm | Max torque Nm | Weight [kg] |
|-------------|--------------------|-----------------|-----|-------|-------------------|---------------|-------------|
| | | E | De | ø max | | | |
| EGE0 | SGEA01 - SGEG01 | 15 | 40 | 16 | 10 | 20 | 0.006 |
| EGE2 | SGEA21 | 18 | 65 | 25 | 95 | 190 | 0.02 |
| EGE3 | SGEA31 - SGEG30 | 22 | 80 | 35 | 190 | 380 | 0.04 |
| EGE5 | SGEA51 | 26 | 105 | 45 | 310 | 620 | 0.06 |
| EGE4 | SGEG40 - SGES40 | 24 | 95 | 40 | 310 | 620 | 0.09 |
| EGE6 | SGEG60 - SGES60 | 28 | 120 | 55 | 430 | 860 | 0.13 |
| EGE8 | SGEG80 - SGES80 | 38 | 160 | 75 | 1250 | 2500 | 0.36 |



Notes:

Made in polyurethane Laripur - LPR202-95A, red colour, are suitable for applications where high levels of torque are transmitted.

EGE**RR series

| Code | Half-coupling code | Dimensions [mm] | | | Nominal torque Nm | Max torque Nm | Weight [kg] |
|---------------|--------------------|-----------------|-----|-------|-------------------|---------------|-------------|
| | | E | De | ø max | | | |
| EGE0RR | SGEA01 - SGEG01 | 15 | 40 | 16 | 15 | 30 | 0.006 |
| EGE2RR | SGEA21 | 18 | 65 | 25 | 115 | 230 | 0.02 |
| EGE3RR | SGEA31 - SGEG30 | 22 | 80 | 35 | 250 | 500 | 0.04 |
| EGE5RR | SGEA51 | 26 | 105 | 45 | 400 | 800 | 0.06 |
| EGE4RR | SGEG40 - SGES40 | 24 | 95 | 40 | 380 | 760 | 0.09 |
| EGE6RR | SGEG60 - SGES60 | 28 | 120 | 55 | 550 | 1100 | 0.13 |
| EGE8RR | SGEG80 - SGES80 | 38 | 160 | 75 | 1400 | 2900 | 0.36 |
| EGE9RP | SGEG90 | 48 | 200 | 95 | 8900 | 9900 | 0.59 |

Version for extreme temperatures available on request.

For further information, contact MP Filtri Technical and Sales Department.