



型号说明/Model Code

KHB3K/KHB3K-S **G1/2** **L** **1** **1** **L** **2** **04** *****

① ② ③ ④ ⑤ ⑥ ⑦ ⑧ ⑨

① 系列代号/Series Code

KHB3K-阀块形球阀/Valve block ball valve DN04-50
KHB3K-S-阀块形球阀/Valve block ball valve DN04-50

② 螺纹规格或管子外径和连接形式

Thread size or the pipe diameter and connection type

③ 阀的功能符号/Valve function Symbol

见下面功能符号/See below uses symbols

④ 阀体和接头体材料/Valve and joints material

1-碳钢/Carbon steel 4-不锈钢/Stainless Steel

⑤ 球体和控制芯轴材料/Ball and spindle material control

1-碳钢/Carbon steel 4-不锈钢/Stainless Steel

⑥ 球体处密封材料/The seal material

1-POM 4-聚四氟乙烯/Polytetrafluoroethylene 5-PEEK

⑦ 接头密封和控制芯轴密封/Joint seal and Control spindle seal

2-NBR 4-FPM 6-EPDM

⑧ 手柄形式/Handle Type

01-铝合金曲柄/Aluminum alloy crank
02-铝合金直柄/Aluminum alloy straight handle
03-锌合金曲柄/Zinc alloy crank
04-锌合金直柄/Zinc Alloy Straight Shank
05-钢质曲柄/Steel crank
06-钢质直柄/Steel Straight handle

⑨ 表面处理/Surface treatment

默认电镀蓝白锌/Default plating blue white zinc
其它要求请说明/Please specify other requirements

注：工作温度(°C)/Operating temperature(°C)

-30~80

阀的功能/Valve function (见下图)

KHB3K系列球阀只能从接口“1”进压力油，阀的密封功能只在以下两种情况有效：

- 1) 关闭的油口压力为零；
- 2) 关闭的油口压力小于两个通油口的压力。

KHB3K-S系列所有端口均可作为压力入口！只能在 $\Delta P=0\text{bar}$ 开启或关闭！

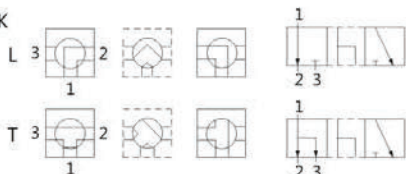
KHB3K Hydraulic oil just can flow into valve through port "1" and the valve only can be sealed under the two situations:

- 1) Pressure at the closed port is zero;
- 2) Pressure at the closed port is lower than at the tow open ports.

KHB3K-S All ports can be used as pressure inlets! Can only be turned on or off at $\Delta P=0\text{bar}$!

● 阀的功能符号/Valve function Symbol

KHB3K



△ 仅从中间口作为压力入口(端口1)

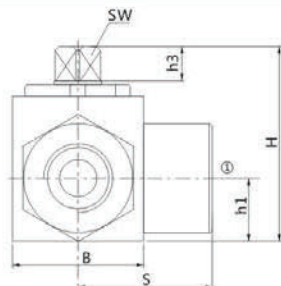
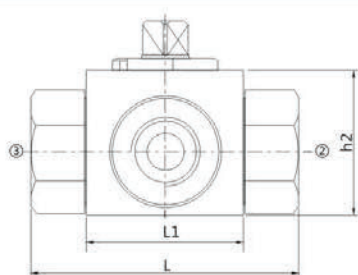
KHB3K-S

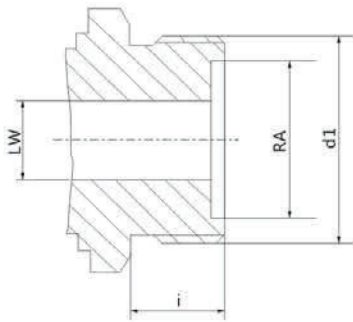


△ 所有端口均可作为压力入口！
只能在 $\Delta P=0\text{bar}$ 开启或关闭！

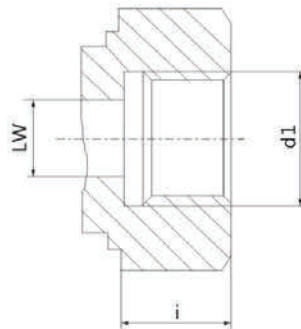
外形尺寸/Dimensions

● KHB3K

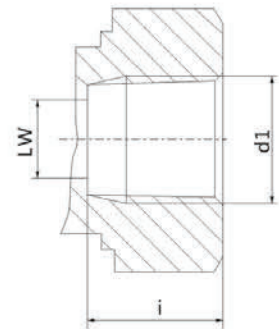




JB984-77



ISO 228



ANSI B1.20.1

JB984-77 外螺纹端面密封/Male Face Seal

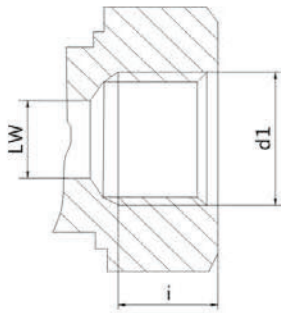
型号 Model	DN	PN	LW	RA	d1	i	L	L1	B	H	h1	h2	h3	SW	S
KHB3K-M12×1.25	4	315	4	8	M12×1.25	9	61	39	28	44.5	13	34	8	9	35
KHB3K-M16×1.5	6	315	6	11	M16×1.5	11	69	39	28	44.5	13	34	8	9	35
KHB3K-M22×1.5	8	315	8	16	M22×1.5	12	76	43	32	52.5	17	40	8	9	38
KHB3K-M27×1.5	10	315	10	20	M27×1.5	12	76	43	32	52.5	17	40	8	9	38
KHB3K-M30×1.5	16	315	15	24	M30×1.5	13	84	48	38	63.5	19	43	11	12	42
KHB3K-M36×2	20	315	20	30	M36×2	15	103	61	48	75	24	54	12	12	52
KHB3K-M42×2	25	315	25	35	M42×2	18	116	66	55	82	28.5	61	12	12	58
KHB3K-M52×2	32	315	30	40	M52×2	20	149	84	75	104.5	37.5	84	14	14	72
KHB3K-M60×2	40	315	38	50	M60×2	22	174	92	85	115.5	42.5	95	14	17	79.5
KHB3K-M72×2	50	315	48	60	M72×2	24	178	100	105	133	52.5	112.5	14	17	89

ISO 228内螺纹/Female

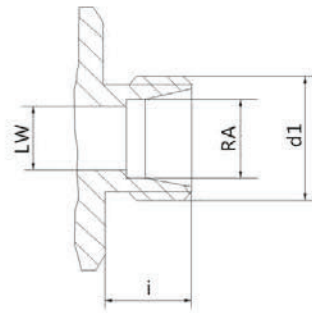
型号 Model	DN	PN	LW	d1	i	L	L1	B	H	h1	h2	h3	SW	S
KHB3K-G1/8	4	315	6	G1/8	10	69	39	28	44.5	13	34	8	9	35
KHB3K-G1/4	6	315	6	G1/4	14	69	39	28	44.5	13	34	8	9	35
KHB3K-G3/8	10	315	10	G3/8	14	72	43	32	52.5	17	40	8	9	36
KHB3K-G1/2	13	315	13	G1/2	16	83	49	35	52.5	17	40	8	9	40
KHB3K-G1/2	16	315	15	G1/2	16	83	48	38	63.5	19	43	11	9	42
KHB3K-G3/4	20	315	20	G3/4	18	95	61	48	75	24	54	12	12	49
KHB3K-G1	25	315	25	G1	20.5	113	66	55	82	28.5	61	12	12	56.5
KHB3K-G1 ¹ / ₄	25/32	315	25	G1 ¹ / ₄	22	120	66	60	82	28.5	61	12	14	60
KHB3K-G1 ¹ / ₄	32	315	30	G1 ¹ / ₄	22	110	84	75	104.5	37.5	84	14	17	55
KHB3K-G1 ¹ / ₂	40	315	38	G1 ¹ / ₂	24	130	94	85	115.5	42.5	95	14	17	65
KHB3K-G2	50	315	48	G2	26	140	100	105	133	52.5	112.5	14	17	70

ANSI B1.20.1 NPT 内螺纹/NPT Female

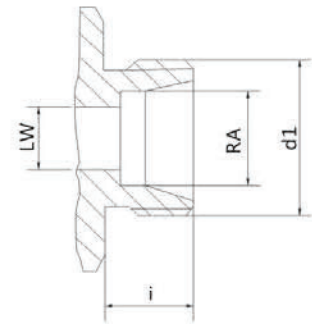
型号 Model	DN	PN	LW	d1	i	L	L1	B	H	h1	h2	h3	SW	S
KHB3K-1/8NPT	4	315	6	1/8NPT	10.5	69	39	28	44.5	13	34	8	9	35
KHB3K-1/4NPT	6	315	6	1/4NPT	14	69	39	28	44.5	13	34	8	9	35
KHB3K-3/8NPT	10	315	10	3/8NPT	14	72	43	32	52.5	17	40	8	9	36
KHB3K-1/2NPT	13	315	13	1/2NPT	17	83	49	35	52.5	17	40	8	9	40
KHB3K-3/4NPT	20	315	20	3/4NPT	19	95	61	48	75	24	54	12	12	49
KHB3K-1NPT	25	315	25	1NPT	22.5	113	66	55	82	28.5	61	12	12	56.5
KHB3K-1 ¹ / ₄ NPT	25/32	315	25	1 ¹ / ₄ NPT	22.5	120	66	60	82	28.5	61	12	12	60
KHB3K-1 ¹ / ₄ NPT	32	315	30	1 ¹ / ₄ NPT	25	120	84	75	104.5	37.5	84	14	14	60
KHB3K-1 ¹ / ₂ NPT	40	315	38	1 ¹ / ₂ NPT	25	130	94	85	115.5	42.5	95	14	17	70
KHB3K-2NPT	50	315	48	2NPT	30	140	100	105	133	52.5	112.5	14	17	75



SAE J514



DIN 2353 LR



DIN 2353 SR

SAE J 514 UN/UNF 内螺纹/Female

型号 Model	DN	PN	LW	d1	i	L	L1	B	H	h1	h2	h3	SW1	S
KHB3K-SAE4	6	315	6	SAE4	12	69	39	28	44.5	13	34	8	9	35
KHB3K-SAE6	10	315	10	SAE6	13	72	43	32	52.5	17	40	8	9	36
KHB3K-SAE8	13	315	13	SAE8	15	83	49	37	52.5	17	40	8	9	40
KHB3K-SAE12	20	315	20	SAE12	20	95	61	48	75	24	54	12	12	49
KHB3K-SAE16	25	315	25	SAE16	20	113	66	55	82	28.5	61	12	12	56.5
KHB3K-SAE20	25/32	315	25	SAE20	20	120	66	60	82	28.5	61	12	12	60
KHB3K-SAE20	32	315	30	SAE20	20	120	84	75	104.5	37.5	84	14	14	60
KHB3K-SAE24	40	315	38	SAE24	20	130	94	85	115.5	42.5	95	14	17	70
KHB3K-SAE32	50	315	48	SAE32	20	140	100	105	133	52.5	112.5	14	17	75

DIN 2353 轻系列/Light Series

请注意管路连接的压力等级
Note that the line connecting the pressure rating

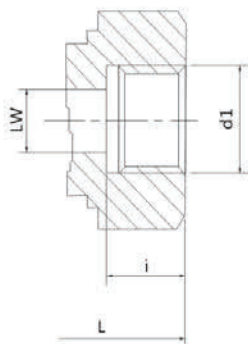
型号 Model	DN	PN	LW	RA	d1	i	L	L1	B	H	h1	h2	h3	SW1	S
KHB3K-06LR	4	315	4	6	M12×1.5	10	67	39	28	44.5	13	32	8	9	34.5
KHB3K-08LR	6	315	6	8	M14×1.5	10	67	39	28	44.5	13	32	8	9	34.5
KHB3K-10LR	8	315	8	10	M16×1.5	11	74	43	32	52.5	17	40	8	9	37
KHB3K-12LR	10	315	10	12	M18×1.5	11	74	43	32	52.5	17	40	8	9	37
KHB3K-15LR	13	315	13	15	M22×1.5	12	82	49	37	52.5	17	43	8	9	40
KHB3K-18LR	13	315	13	18	M26×1.5	12	82	49	37	52.5	17	43	8	9	42
KHB3K-18LR	16	315	15	18	M26×1.5	12	82	48	38	63.5	19	46	11	9	42
KHB3K-22LR	20	315	19	22	M30×2	14	101	61	48	75	24	54	12	12	52
KHB3K-28LR	25	315	25	28	M36×2	14	108	66	55	82	28.5	61	12	12	54
KHB3K-35LR	25/32	315	25	35	M45×2	16	112	66	60	82	28.5	64	12	14	56

DIN 2353 重系列/Heavy Series

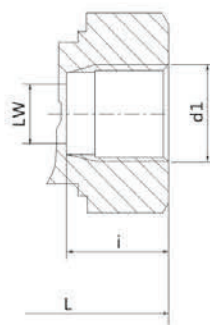
请注意管路连接的压力等级
Note that the line connecting the pressure rating

型号 Model	DN	PN	LW	RA	d1	i	L	L1	B	H	h1	h2	h3	SW1	S
KHB3K-08SR	4	315	5	8	M16×1.5	12	73	39	28	44.5	13	34	8	9	37
KHB3K-10SR	6	315	6	10	M18×1.5	12	73	39	28	44.5	13	34	8	9	37
KHB3K-12SR	8	315	8	12	M20×1.5	12	76	43	32	52.5	17	40	8	9	38
KHB3K-14SR	10	315	10	14	M22×1.5	14	80	43	32	52.5	17	40	8	9	40
KHB3K-16SR	13	315	13	16	M24×1.5	14	86	49	35	52.5	17	40	8	9	43.5
KHB3K-20SR	13	315	13	20	M30×2	16	90	49	35	52.5	17	40	8	9	45.5
KHB3K-20SR	16	315	15	22	M30×2	16	90	48	38	63.5	19	46	11	12	45.5
KHB3K-25SR	20	315	19	25	M36×2	18	109	61	48	75	24	54	12	12	56
KHB3K-30SR	25	315	25	30	M42×2	20	120	66	55	82	28.5	61	12	12	60
KHB3K-38SR	25/32	315	25	38	M52×2	22	124	66	60	82	28.5	64	12	14	62

公制内螺纹



ISO7-1 内螺纹



公制内螺纹

型号 Model	DN	PN	LW	d1	i	L	L1	B	H	h1	h2	h3	SW1	S
KHB3K-N-M14×1.5	6	315	6	M14×1.5	14	69	39	28	44.5	13	32	8	9	35
KHB3K-N-M18×1.5	10	315	10	M18×1.5	13	72	43	32	52.5	17	40	8	9	36
KHB3K-N-M22×1.5-SW9	13	315	13	M22×1.5	15	83	49	35	52.5	17	40	8	9	40
KHB3K-N-M27×2	20	315	20	M27×2	18	95	61	48	75	24	57	12	14	49
KHB3K-N-M33×2	25	315	25	M33×2	20	113	66	57	82	28.5	64	12	14	56.5
KHB3K-N-M42×2	32	315	30	M42×2	22	110	85	75	104.5	37.5	84	14	17	55
KHB3K-N-M48×2	40	315	38	M48×2	24	130	94	85	115.5	42.5	95	14	17	65
KHB3K-N-M60×2	50	315	48	M60×2	26	140	100	105	133	52.5	112.5	14	17	75

ISO7-1 内螺纹

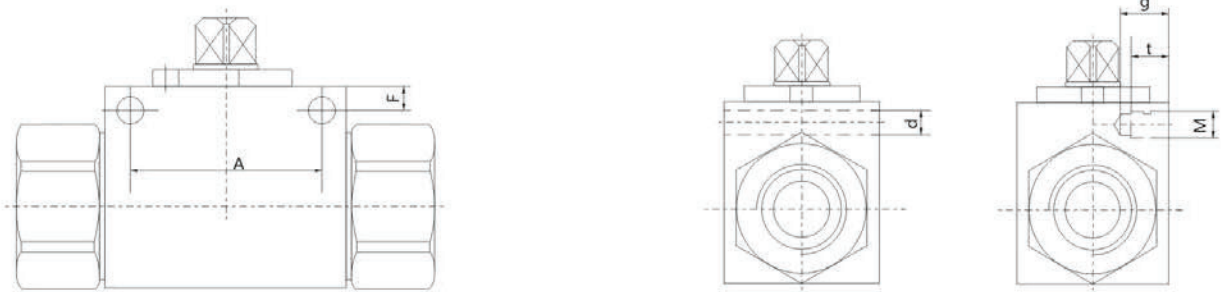
型号 Model	DN	PN	LW	d1	i	L	L1	B	H	h1	h2	h3	SW1	S
KHB3K-1/8BSPT	4	315	6	Rc1/8	11	69	39	28	44.5	13	32	8	9	35
KHB3K-1/4BSPT	6	315	6	Rc1/4	14	69	39	28	44.5	13	32	8	9	35
KHB3K-3/8BSPT	10	315	10	Rc3/8	14	72	43	32	52.5	17	40	8	9	36
KHB3K-1/2BSPT	13	315	13	Rc1/2	17	83	49	35	52.5	17	40	8	9	40
KHB3K-3/4BSPT	20	315	20	Rc3/4	19	95	61	48	75	24	57	12	14	49
KHB3K-1BSPT	25	315	25	Rc1	22.5	113	66	57	82	28.5	64	12	14	56.5
KHB3K-1 1/4BSPT	25/32	315	25	Rc1 1/4	22.5	120	66	60	82	28.5	64	12	14	60

订货示例

- (1) 内螺纹连接，螺纹规格G3/4，功能为L形，零件材料为常规组合，手柄为锌合金压式曲柄，表面镀环保锌，其型号为：KHB3K-G3/4-L-1112-04(环保锌)
- (2) 订货时没有注明零件材料代号的为1122常规材料,可省略。



带安装系列



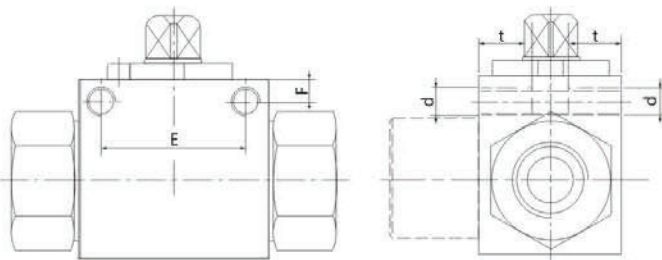
通孔连接尺寸/Full Holes Dimensions

DN	A	d	F
4	30	4.6	5
6	30	5	4.8
10	32	6.6	5
13	37.5	6.6	4.8
16	37.5	6.6	5
20	48.5	6.5	6
25	50.5	6.5	6
32	50.5	8.5	5.5

螺孔连接尺寸/Thread Holes Dimensions

DN	A	t	F	g	M
4	30	6.7	6	9	M6
6	30	6.7	6	9	M6
10	32	8	5.5	10	M6
13	37.5	9	6	11	M6
16	37.5	8	8	10.5	M6
20	45	13	7.5	15	M10
25	45	13	7.5	15	M10
32	45	13	7.5	15	M10

侧面双边螺纹安装孔



DN	E	F	t	d
4	24	4.5	9	M6
6	24	4.5	9	M6
10	32	5.5	12	M6
13	36	6	12	M6
16	32	6.5	12	M6
20	45	7.5	12	M6
25	45	7.5	12	M6
25/32	45	7.5	12	M6