

# MPS series

Maximum working pressure up to 1.2 MPa (12 bar) - Flow rate up to 365 l/min



### Spin-on filters

**Maximum working pressure up to 1.2 MPa (12 bar)**

**Flow rate up to 365 l/min**

MPS is a range of spin-on filters suitable to be used in suction, return and low pressure lines.

They offer a good balance between performances, dimensions and prices. They are directly connected to the lines of the system through the hydraulic fittings.

#### Available features:

- Female threaded connections up to 1 1/2" and flanged connections up to 1 1/2", for a maximum flow rate of 365 l/min
- Fine filtration rating, to get a good cleanliness level into the reservoir
- Water removal elements (CW), to remove the free water from the hydraulic fluid
- Double connection for the cans, to fit both European and American standard elements
- Double cans fitting, to increase the life time of the filter
- Bypass valve, to relieve excessive pressure drop across the filter media
- Visual, electrical and electronic clogging indicators for suction and return applications
- Visual, electrical and electronic differential clogging indicators for low pressure applications

#### Common applications:

- Suction lines, Return lines, Delivery lines, in economic industrial equipment or mobile machines.
- Off-line filtration tank in economic industrial equipment or mobile machines

#### Filter housing materials

- Head: Aluminium
- Bypass valve: Nylon - Steel
- Element: Zinc-Plated Steel - Painted Steel

#### Bypass valve

- Return filter opening pressure: 175 kPa (1.75 bar)  $\pm 10\%$
- Suction filter opening pressure: 30 kPa (0.3 bar)  $\pm 10\%$

#### $\Delta p$ element type

- $\Delta p$ : 5 bar
- Fluid flow through the filter element from OUT to IN

#### Seals

Standard NBR - series A

#### Temperature

From -20 °C to +110 °C

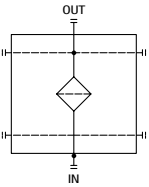
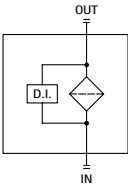
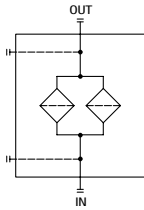
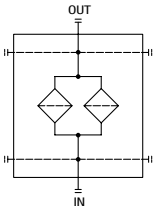
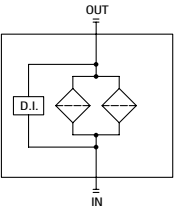
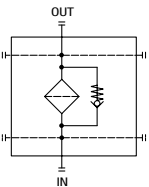
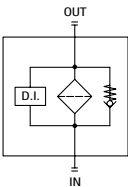
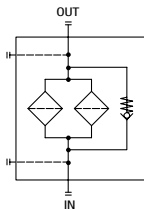
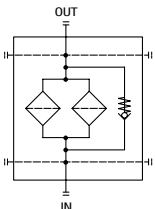
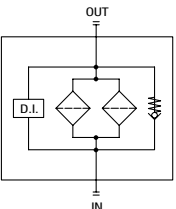
#### Note

MPS filters are provided for vertical mounting



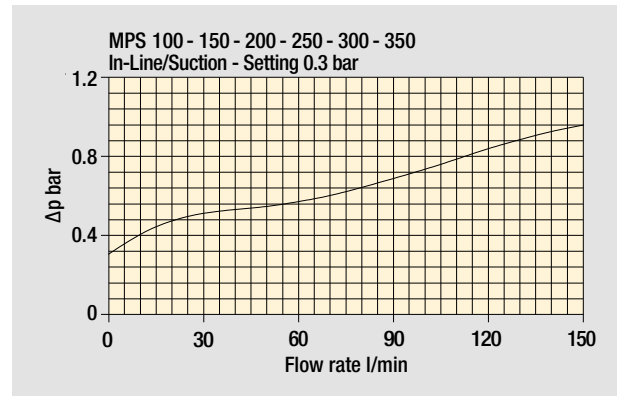
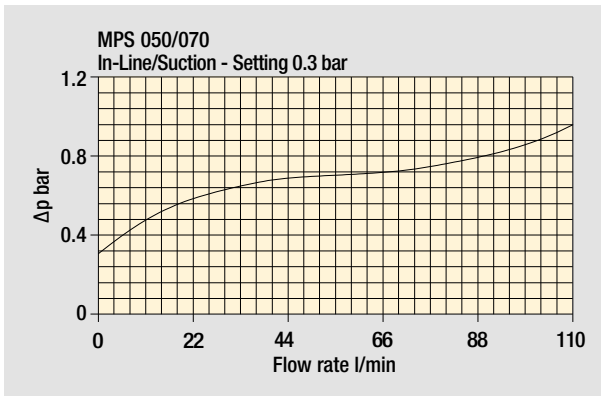
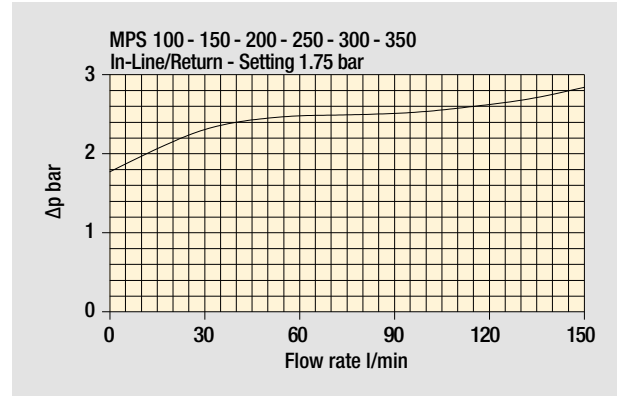
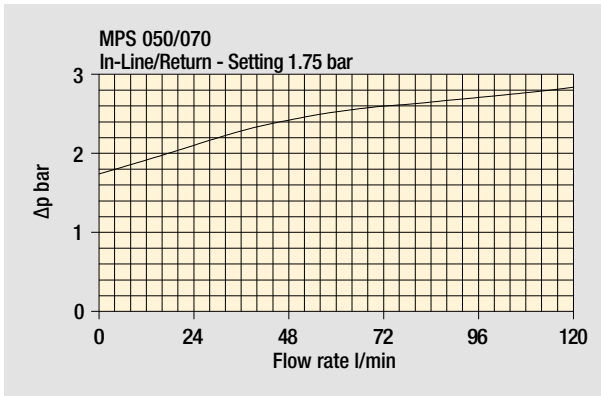
## Weights [kg] and volumes [dm<sup>3</sup>]

Filter series	Weights [kg]	Volumes [dm <sup>3</sup> ]
<b>MPS 050</b>	1.00	0.70
<b>MPS 051</b>	1.05	0.70
<b>MPS 070</b>	1.20	0.95
<b>MPS 071</b>	1.25	0.95
<b>MPS 100</b>	2.10	1.65
<b>MPS 101</b>	2.20	1.65
<b>MPS 150</b>	2.40	2.00
<b>MPS 151</b>	2.50	2.00
<b>MPS 200</b>	3.90	3.00
<b>MPS 250</b>	4.60	3.70
<b>MPS 300-301</b>	5.30	3.40
<b>MPS 350-351</b>	6.00	4.10

Filter series					
MPS 050	•				
MPS 051		•			
MPS 070	•				
MPS 071		•			
MPS 100	•				
MPS 101		•			
MPS 150	•				
MPS 151		•			
MPS 200			•		
MPS 250			•		
MPS 300				•	
MPS 301				•	•
MPS 350				•	
MPS 351					•
	Style U/P	Style U/P	Style U	Style U/P	Style U/P
					
	Style R/S	Style R/S	Style R/S	Style R/S	Style R/S
					

## Pressure drop

Bypass valve  
pressure drop



The curves are plotted using mineral oil with density of 0.86 kg/dm<sup>3</sup> in compliance with ISO 3968.  $\Delta p$  varies proportionally with density.

**CS** 050 - 070 - 100 - 150

**CG - CW** 050 - 070



**CG - CW** 100 - 150



**CW**

This series of cartridge removes water from oil while filtering the oil at the same time.

Water absorbent polymers up to 800 times their own weight provide this major feature.

Water holding capacities:

CW 050= 240 ml

Ordering code: **CW050P10AP01**

CW 150= 788 ml

Ordering code: **CW150P10AP01**

### Thread connections

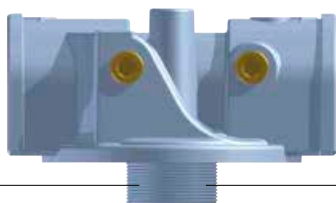
Element	Connection
CS 050 - 070	G 3/4"
CS 100 - 150	G 1 1/4"
CG / CW 050 - 070	1" - 12 UNF
CG / CW 100 - 150	1 1/2" - 16 UN

### Water holding capacities CW

	good	poor
<b>Viscosity</b>	30/46 mm <sup>2</sup> /s (cSt)	> 46 mm <sup>2</sup> /s (cSt)
<b>H<sub>2</sub>O p.p.m.</b>	600/800 p.p.m.	> 800 p.p.m.
<b>Flow rate</b>	CW050 7/15 l/min CW150 20/40 l/min	CW050 > 20 l/min CW150 > 50 l/min
<b>Temperature</b>	40/60 °C	< 30 °C

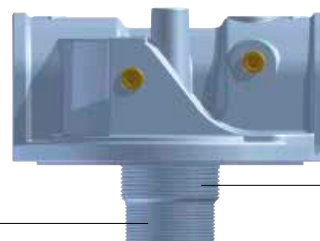
## Heads

**CG / CW**  
1" - 12 UNF



**CS**  
G 3/4"

**CG / CW**  
1 1/2" - 16 UN



**CS**  
G 1 1/4"

# MPS MPS050 - MPS070 MPS051 - MPS071

## Designation & Ordering code

### COMPLETE FILTER

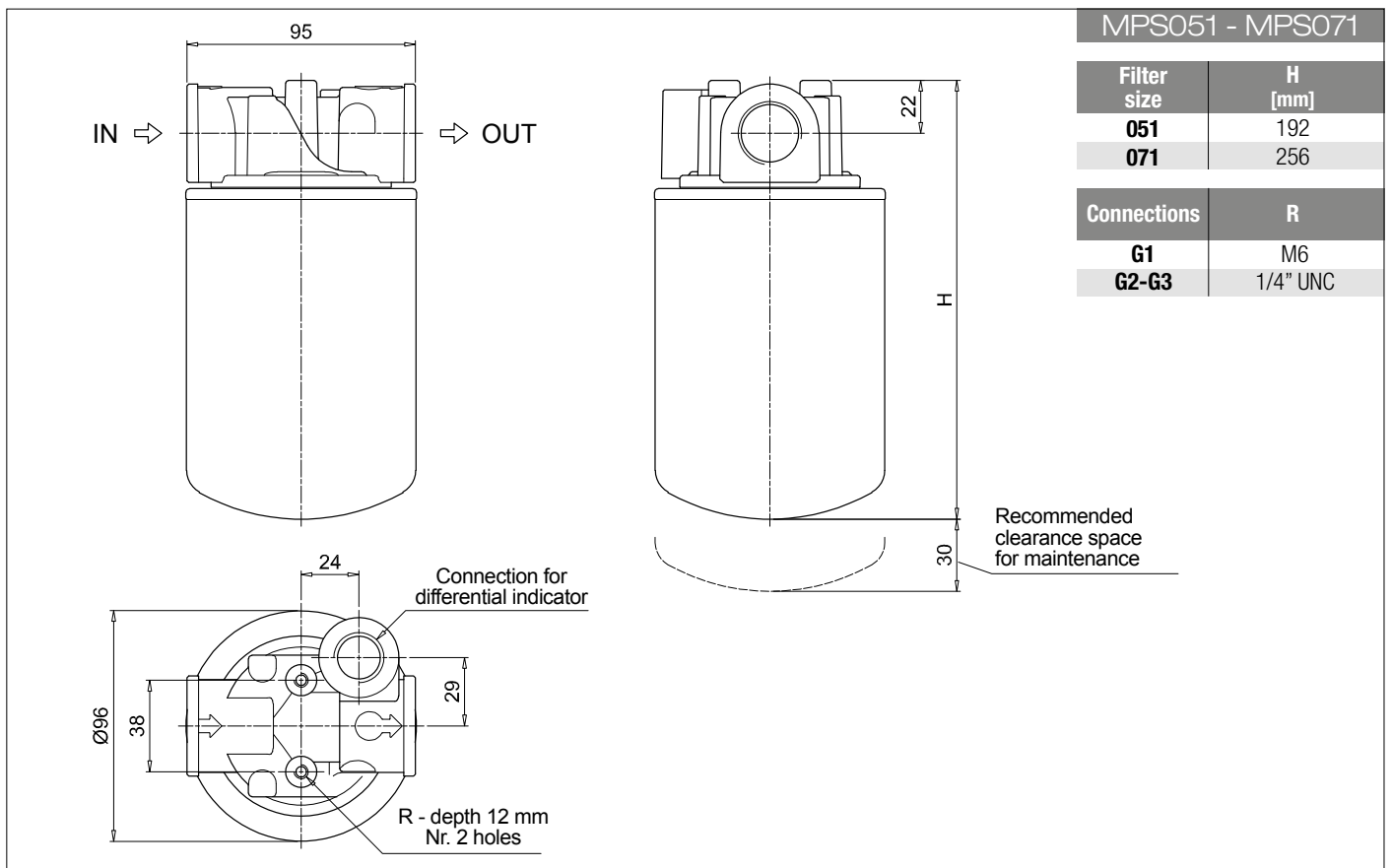
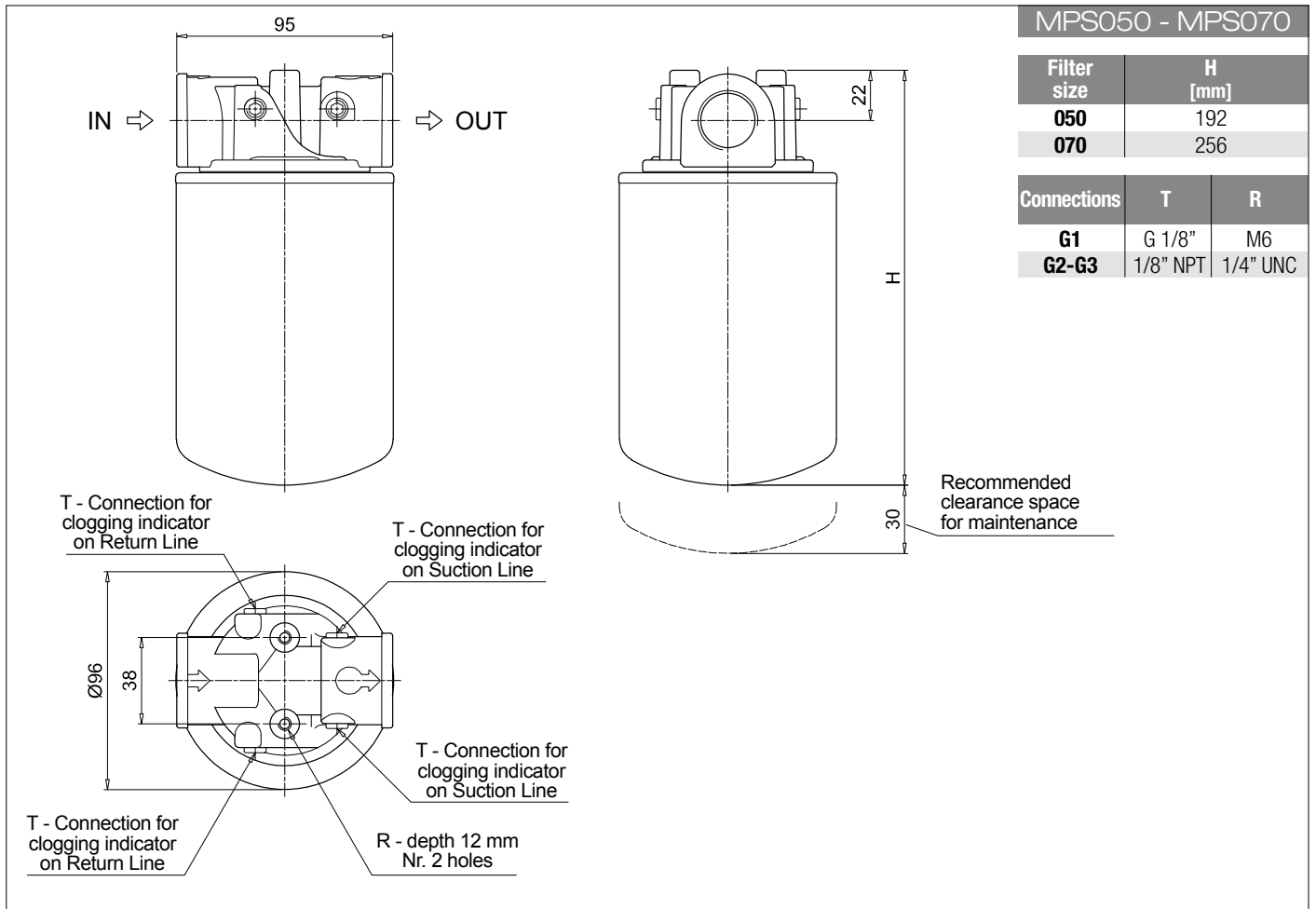
<b>Series and size</b>		Configuration example: <b>MPS050</b> <b>R</b> <b>G1</b> <b>A10</b> <b>A</b> <b>P01</b>				
<b>MPS050</b>   <b>MPS070</b>	With connections for clogging indicators					
<b>MPS051</b>   <b>MPS071</b>	With connections for differential indicators					
<b>Bypass valve</b>		<b>MPS 050 - 070</b>	<b>MPS 051 - 071</b>			
<b>R</b>	Return: 1.75 bar	•	•			
<b>S</b>	Suction: 30 kPa	•				
<b>U</b>	Without bypass	•				
<b>P</b>	Without bypass		•			
<b>Connections</b>						
<b>G1</b>	G 3/4"					
<b>G2</b>	3/4" NPT					
<b>G3</b>	SAE 12 - 1 1/16" - 12 UN					
<b>Filtration rating (filter media)</b>						
<b>A03</b>	Inorganic microfiber 3 µm					
<b>A06</b>	Inorganic microfiber 6 µm					
<b>A10</b>	Inorganic microfiber 10 µm					
<b>A25</b>	Inorganic microfiber 25 µm					
	<b>M25</b> Wire mesh 25 µm					
	<b>M60</b> Wire mesh 60 µm					
	<b>M90</b> Wire mesh 90 µm					
	<b>P10</b> Resin impregnated paper 10 µm					
	<b>P25</b> Resin impregnated paper 25 µm					
				<b>Seal</b>		<b>Execution</b>
				<b>A</b> NBR		<b>P01</b> MP Filtri standard

### CARTRIDGE

<b>Cartridge series and size</b>		Configuration example: <b>CS050</b> <b>A10</b> <b>A</b> <b>P01</b>			
<b>CS050</b>   <b>CS070</b>					
<b>Filtration rating (filter media)</b>					
<b>A03</b>	Inorganic microfiber 3 µm				
<b>A06</b>	Inorganic microfiber 6 µm				
<b>A10</b>	Inorganic microfiber 10 µm				
<b>A25</b>	Inorganic microfiber 25 µm				
	<b>M25</b> Wire mesh 25 µm				
	<b>M60</b> Wire mesh 60 µm				
	<b>M90</b> Wire mesh 90 µm				
	<b>P10</b> Resin impregnated paper 10 µm				
	<b>P25</b> Resin impregnated paper 25 µm				
				<b>Seals</b>	<b>Execution</b>
				<b>A</b> NBR	<b>P01</b> MP Filtri standard <b>Pxx</b> Customized

### ACCESSORIES

<b>Clogging indicators on RETURN line</b>		page			page
<b>BVA</b>	Axial pressure gauge	315	<b>BEA</b>	Electrical pressure indicator	314
<b>BVR</b>	Radial pressure gauge	315	<b>BEM</b>	Electrical pressure indicator	314
<b>BVP</b>	Visual pressure indicator with automatic reset	316	<b>BLA</b>	Electrical / visual pressure indicator	314-315
<b>BVQ</b>	Visual pressure indicator with manual reset	316			
<b>Clogging indicators on SUCTION line</b>		page			page
<b>VVB</b>	Axial pressure gauge	313	<b>VEB</b>	Electrical vacuum indicator	312
<b>VVS</b>	Radial pressure gauge	313	<b>VLB</b>	Electrical/visual vacuum indicator	312
<b>Differential indicators</b>		page			page
<b>DEA</b>	Electrical differential indicator	317	<b>DTA</b>	Electronic differential indicator	320
<b>DEM</b>	Electrical differential indicator	317-318	<b>DVA</b>	Visual differential indicator	320
<b>DLA</b>	Electrical / visual differential indicator	318-319	<b>DVM</b>	Visual differential indicator	320
<b>DLE</b>	Electrical / visual differential indicator	319			



# MPS MPS100 - MPS150 MPS101 - MPS151

## Designation & Ordering code

### COMPLETE FILTER

<b>Series and size</b>		Configuration example: <b>MPS100</b> <b>R</b> <b>G1</b> <b>A10</b> <b>A</b> <b>P01</b>				
<b>MPS100</b>   <b>MPS150</b>	With connections for clogging indicators					
<b>MPS101</b>   <b>MPS151</b>	With connections for differential indicators					
<b>Bypass valve</b>		<b>MPS 100 - 150</b>	<b>MPS 101 - 151</b>			
<b>R</b>	Return: 1.75 bar	•	•			
<b>S</b>	Suction: 30 kPa	•				
<b>U</b>	Without bypass	•				
<b>P</b>	Without bypass		•			
<b>Connections</b>						
<b>G1</b>	G 1 1/4"					
<b>G2</b>	1 1/4" NPT					
<b>G3</b>	SAE 20 - 1 5/8" - 12 UN					
<b>Filtration rating (filter media)</b>						
<b>A03</b>	Inorganic microfiber 3 µm			<b>M25</b>	Wire mesh 25 µm	
<b>A06</b>	Inorganic microfiber 6 µm			<b>M60</b>	Wire mesh 60 µm	
<b>A10</b>	Inorganic microfiber 10 µm			<b>M90</b>	Wire mesh 90 µm	
<b>A25</b>	Inorganic microfiber 25 µm			<b>P10</b>	Resin impregnated paper 10 µm	
				<b>P25</b>	Resin impregnated paper 25 µm	
				<b>Seal</b>	<b>A</b> NBR	
				<b>Execution</b>	<b>P01</b> MP Filtri standard	

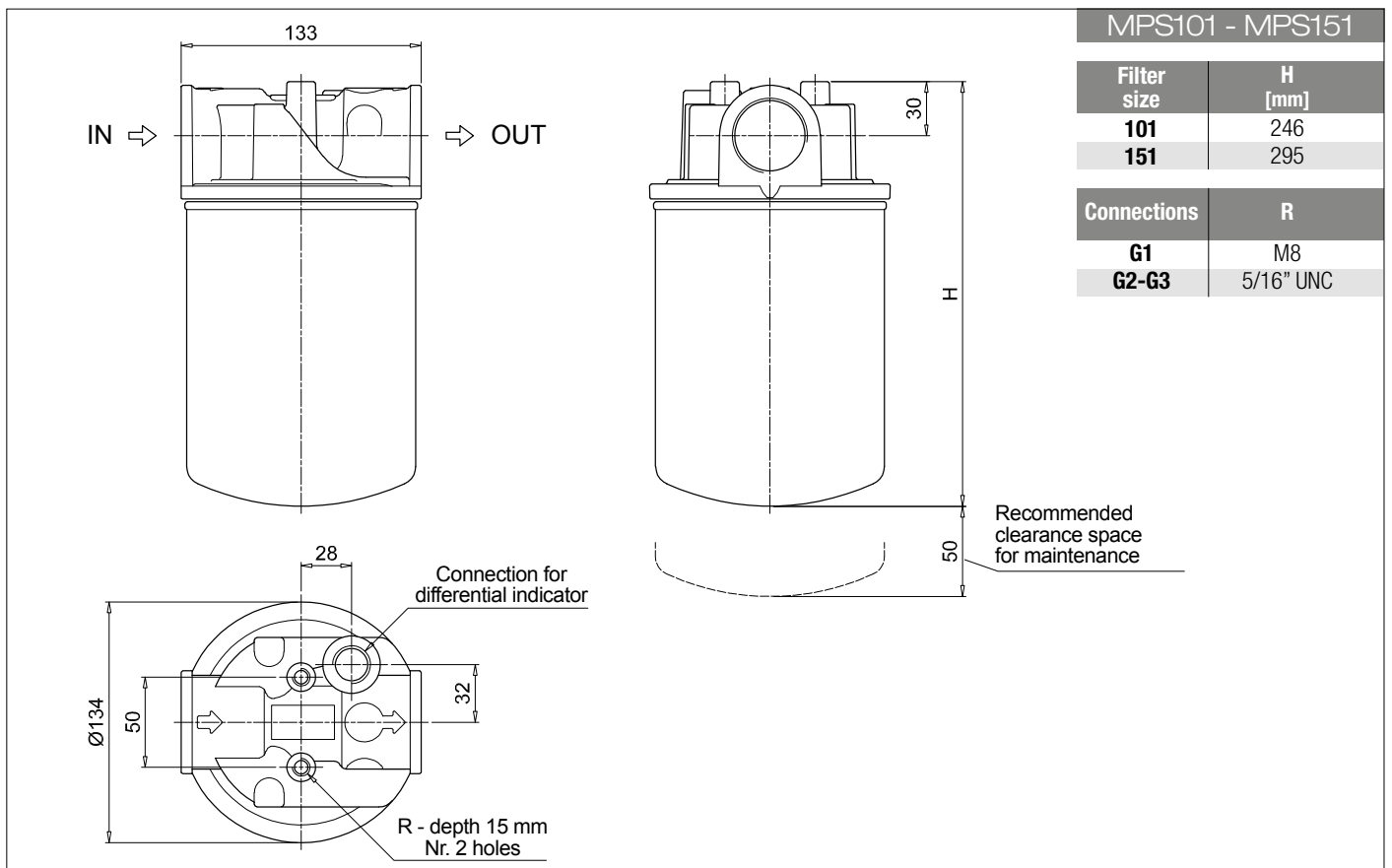
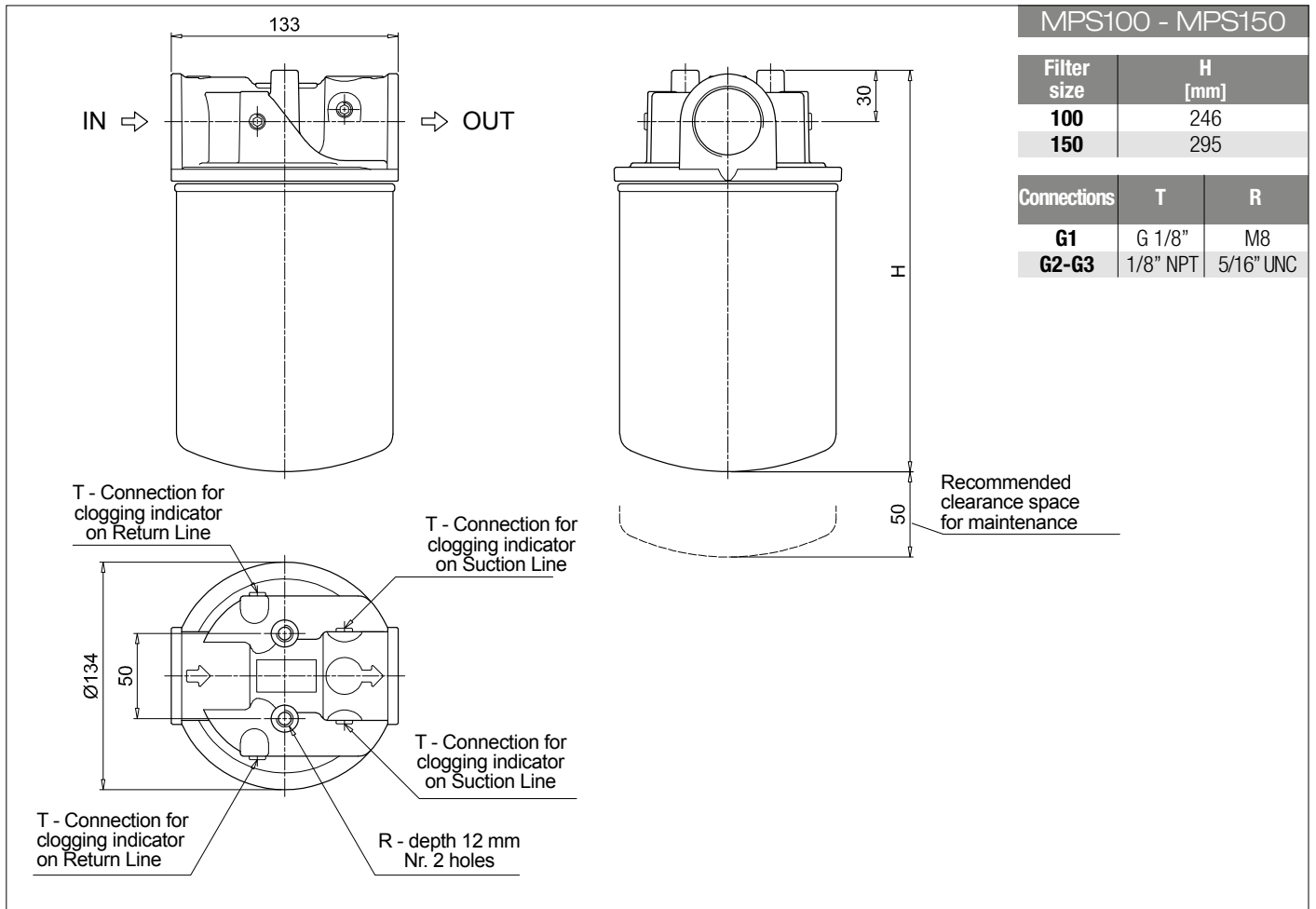
### CARTRIDGE

<b>Cartridge series and size</b>		Configuration example: <b>CS100</b> <b>A10</b> <b>A</b> <b>P01</b>			
<b>CS100</b>   <b>CS150</b>					
<b>Filtration rating (filter media)</b>					
<b>A03</b>	Inorganic microfiber 3 µm			<b>M25</b>	Wire mesh 25 µm
<b>A06</b>	Inorganic microfiber 6 µm			<b>M60</b>	Wire mesh 60 µm
<b>A10</b>	Inorganic microfiber 10 µm			<b>M90</b>	Wire mesh 90 µm
<b>A25</b>	Inorganic microfiber 25 µm			<b>P10</b>	Resin impregnated paper 10 µm
				<b>P25</b>	Resin impregnated paper 25 µm
				<b>Seals</b>	<b>A</b> NBR
				<b>Execution</b>	<b>P01</b> MP Filtri standard <b>Pxx</b> Customized

### ACCESSORIES

<b>Clogging indicators on RETURN line</b>		page	<b>Clogging indicators on SUCTION line</b>		page
<b>BVA</b>	Axial pressure gauge	315	<b>BEA</b>	Electrical pressure indicator	314
<b>BVR</b>	Radial pressure gauge	315	<b>BEM</b>	Electrical pressure indicator	314
<b>BVP</b>	Visual pressure indicator with automatic reset	316	<b>BLA</b>	Electrical / visual pressure indicator	314-315
<b>BVQ</b>	Visual pressure indicator with manual reset	316			
<b>Clogging indicators on SUCTION line</b>		page	<b>Clogging indicators on SUCTION line</b>		page
<b>VVB</b>	Axial pressure gauge	313	<b>VEB</b>	Electrical vacuum indicator	312
<b>VVS</b>	Radial pressure gauge	313	<b>VLB</b>	Electrical/visual vacuum indicator	312
<b>Differential indicators</b>		page	<b>Differential indicators</b>		page
<b>DEA</b>	Electrical differential indicator	317	<b>DTA</b>	Electronic differential indicator	320
<b>DEM</b>	Electrical differential indicator	317-318	<b>DVA</b>	Visual differential indicator	320
<b>DLA</b>	Electrical / visual differential indicator	318-319	<b>DVM</b>	Visual differential indicator	320
<b>DLE</b>	Electrical / visual differential indicator	319			





# MPS MPS200 - MPS250

## Designation & Ordering code

### COMPLETE FILTER

<b>Series and size</b> MPS200   MPS250	Configuration example: <b>MPS200</b> <b>R</b> <b>G1</b> <b>A10</b> <b>A</b> <b>P01</b>				
<b>Bypass valve</b>					
<b>R</b> Return: 1.75 bar					
<b>S</b> Suction: 30 kPa					
<b>U</b> Without bypass					
<b>Connections</b>					
<b>G1</b> G 1 1/2"					
<b>G2</b> 1 1/2" NPT					
<b>G3</b> SAE 24 - 1 7/8" - 12 UN					
<b>Filtration rating (filter media)</b>					
<b>A03</b> Inorganic microfiber 3 µm					
<b>A06</b> Inorganic microfiber 6 µm					
<b>A10</b> Inorganic microfiber 10 µm					
<b>A25</b> Inorganic microfiber 25 µm					
<b>M25</b> Wire mesh 25 µm					
<b>M60</b> Wire mesh 60 µm					
<b>M90</b> Wire mesh 90 µm					
<b>P10</b> Resin impregnated paper 10 µm					
<b>P25</b> Resin impregnated paper 25 µm					
	<b>Seal</b> A NBR	<b>Execution</b> P01 MP Filtri standard			

### CARTRIDGE

<b>Cartridge series and size</b> CS100   CS150	Configuration example: <b>CS100</b> <b>A10</b> <b>A</b> <b>P01</b>			
<b>Filtration rating (filter media)</b>				
<b>A03</b> Inorganic microfiber 3 µm				
<b>A06</b> Inorganic microfiber 6 µm				
<b>A10</b> Inorganic microfiber 10 µm				
<b>A25</b> Inorganic microfiber 25 µm				
<b>M25</b> Wire mesh 25 µm				
<b>M60</b> Wire mesh 60 µm				
<b>M90</b> Wire mesh 90 µm				
<b>P10</b> Resin impregnated paper 10 µm				
<b>P25</b> Resin impregnated paper 25 µm				
	<b>Seals</b> A NBR	<b>Execution</b> P01 MP Filtri standard Pxx Customized		

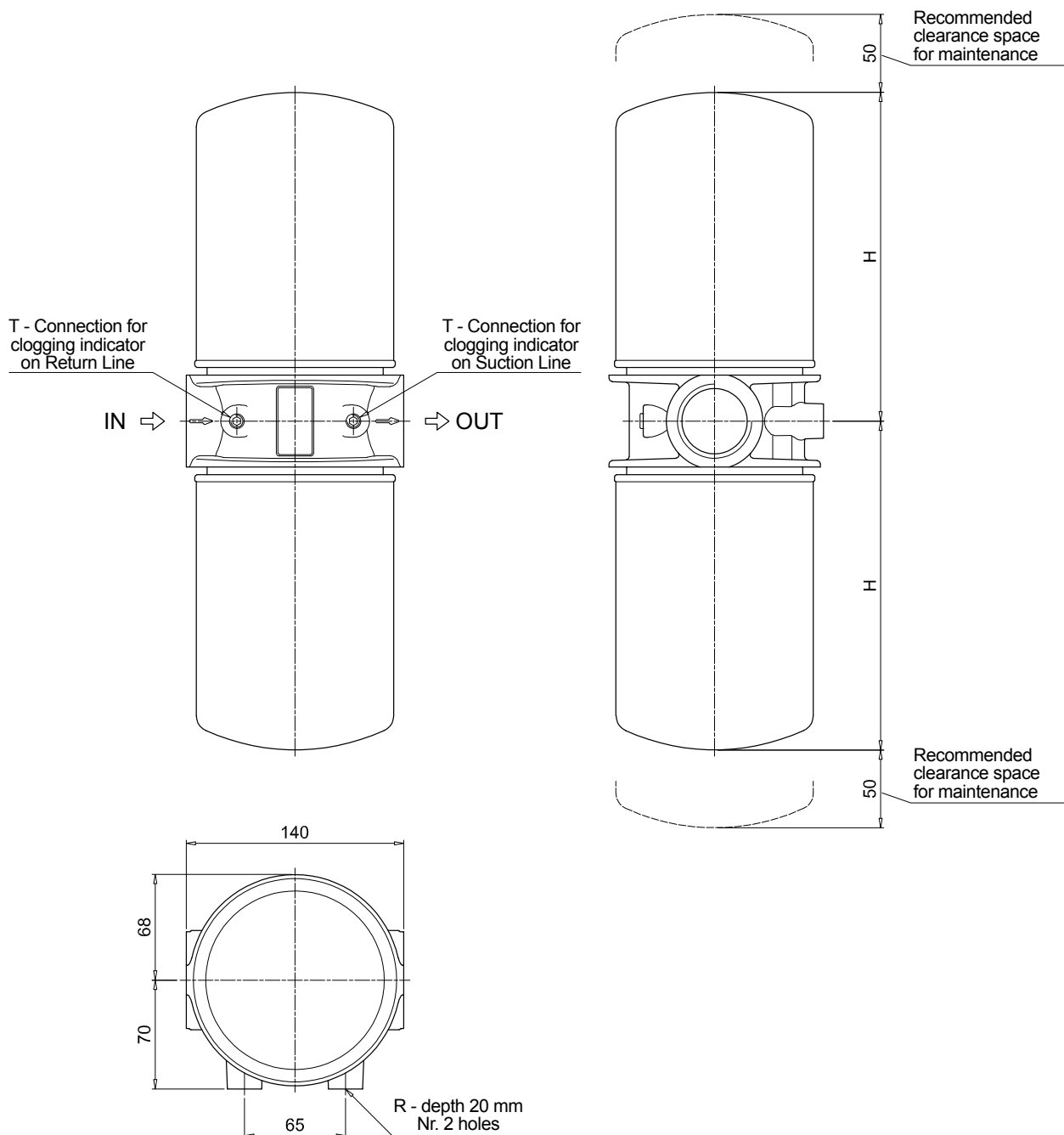
### ACCESSORIES

Clogging indicators on RETURN line		page			page
<b>BVA</b>	Axial pressure gauge	315	<b>BEA</b>	Electrical pressure indicator	314
<b>BVR</b>	Radial pressure gauge	315	<b>BEM</b>	Electrical pressure indicator	314
<b>BVP</b>	Visual pressure indicator with automatic reset	316	<b>BLA</b>	Electrical / visual pressure indicator	314-315
<b>BVQ</b>	Visual pressure indicator with manual reset	316			
Clogging indicators on SUCTION line		page			page
<b>VVB</b>	Axial pressure gauge	313	<b>VEB</b>	Electrical vacuum indicator	312
<b>VVS</b>	Radial pressure gauge	313	<b>VLB</b>	Electrical/visual vacuum indicator	312

### MPS200 - MPS250

Filter size	H [mm]
<b>200</b>	213
<b>250</b>	262

Connections	T	R
<b>G1</b>	G 1/8"	M10
<b>G2-G3</b>	1/8" NPT	7/16" UNC



# MPS MPS300 - MPS350 MPS301 - MPS351

## Designation & Ordering code

### COMPLETE FILTER

#### Series and size

**MPS300** | **MPS350** With connections for clogging indicators

**MPS301** | **MPS351** With connections for differential indicators

Configuration example: **MPS300** **R** **F1** **A10** **A** **P01**

#### Bypass valve

	MPS 300 - 350	MPS 301 - 351
<b>R</b> Return: 1.75 bar	•	•
<b>S</b> Suction: 30 kPa	•	
<b>U</b> Without bypass	•	
<b>P</b> Without bypass		•

#### Connections

<b>G1</b> G 1 1/2"
<b>G2</b> 1 1/2" NPT
<b>G3</b> SAE 24 - 1 7/8" - 12 UN
<b>F1</b> 1 1/2" SAE 3000 psi/M
<b>F2</b> 1 1/2" SAE 3000 psi/UNC

#### Filtration rating (filter media)

<b>A03</b> Inorganic microfiber 3 µm	<b>M25</b> Wire mesh 25 µm
<b>A06</b> Inorganic microfiber 6 µm	<b>M60</b> Wire mesh 60 µm
<b>A10</b> Inorganic microfiber 10 µm	<b>M90</b> Wire mesh 90 µm
<b>A25</b> Inorganic microfiber 25 µm	<b>P10</b> Resin impregnated paper 10 µm
	<b>P25</b> Resin impregnated paper 25 µm

#### Seal

**A** NBR

#### Execution

**P01** MP Filtri standard

### CARTRIDGE

#### Cartridge series and size

**CS100** | **CS150**

Configuration example: **CS100** **A10** **A** **P01**

#### Filtration rating (filter media)

<b>A03</b> Inorganic microfiber 3 µm	<b>M25</b> Wire mesh 25 µm
<b>A06</b> Inorganic microfiber 6 µm	<b>M60</b> Wire mesh 60 µm
<b>A10</b> Inorganic microfiber 10 µm	<b>M90</b> Wire mesh 90 µm
<b>A25</b> Inorganic microfiber 25 µm	<b>P10</b> Resin impregnated paper 10 µm
	<b>P25</b> Resin impregnated paper 25 µm

#### Seals

**A** NBR

#### Execution

**P01** MP Filtri standard

**Pxx** Customized

### ACCESSORIES

#### Clogging indicators on RETURN line

	page
<b>BVA</b> Axial pressure gauge	315
<b>BVR</b> Radial pressure gauge	315
<b>BVP</b> Visual pressure indicator with automatic reset	316
<b>BVQ</b> Visual pressure indicator with manual reset	316

	page
<b>BEA</b> Electrical pressure indicator	314
<b>BEM</b> Electrical pressure indicator	314
<b>BLA</b> Electrical / visual pressure indicator	314-315

#### Clogging indicators on SUCTION line

	page
<b>VVB</b> Axial pressure gauge	313
<b>VVS</b> Radial pressure gauge	313

	page
<b>VEB</b> Electrical vacuum indicator	312
<b>VLB</b> Electrical/visual vacuum indicator	312

#### Differential indicators

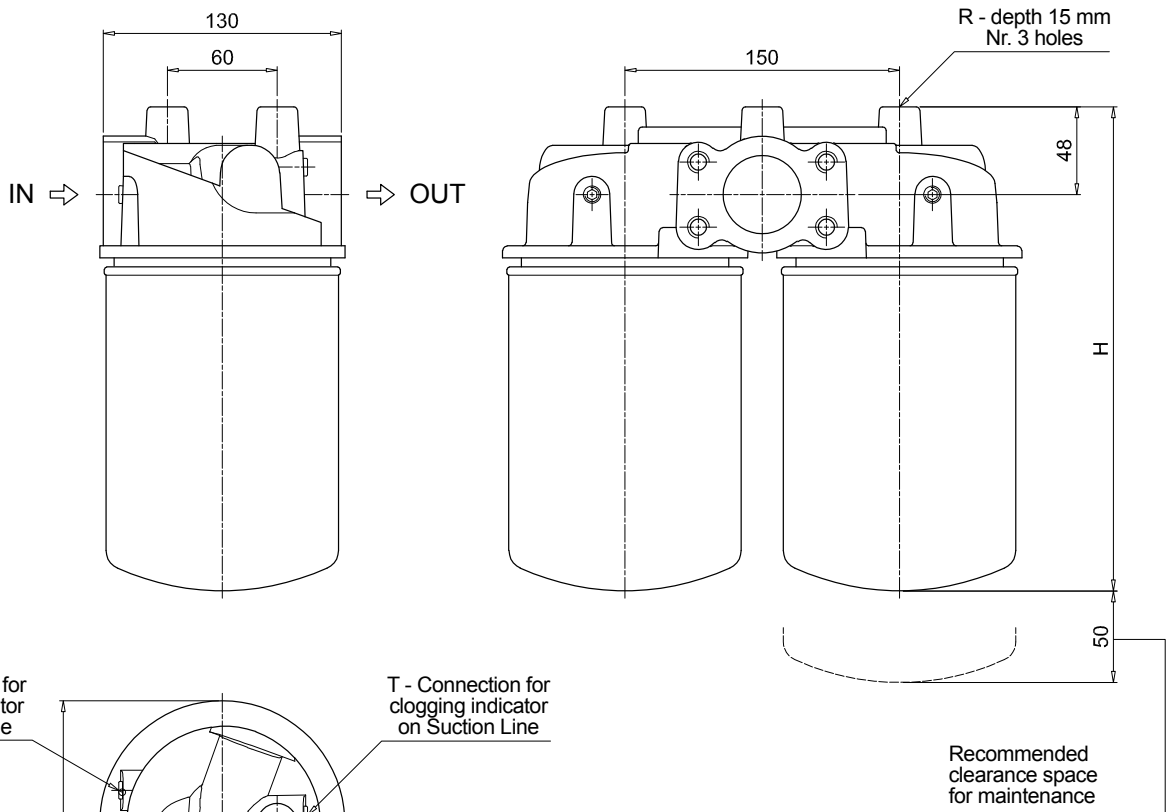
	page
<b>DEA</b> Electrical differential indicator	317
<b>DEM</b> Electrical differential indicator	317-318
<b>DLA</b> Electrical / visual differential indicator	318-319
<b>DLE</b> Electrical / visual differential indicator	319

	page
<b>DTA</b> Electronic differential indicator	320
<b>DVA</b> Visual differential indicator	320
<b>DVM</b> Visual differential indicator	320

### MPS300 - MPS350

Filter size	H [mm]
<b>300</b>	266
<b>350</b>	315

Connections	T	R
<b>G1</b>	G 1/8"	M10
<b>G2-G3</b>	1/8" NPT	7/16" UNC
<b>F1</b>	G 1/8"	M10
<b>F2</b>	1/8" NPT	7/16" UNC



# MPS MPS300 - MPS350 MPS301 - MPS351

## Dimensions

### MPS301 - MPS351

Filter size	H [mm]
<b>301</b>	266
<b>351</b>	315

Connections	R
<b>G1</b>	M10
<b>G2-G3</b>	7/16" UNC
<b>F1</b>	M10
<b>F2</b>	7/16" UNC

