

SYMBOLS



P T B A

MRF-02P



P T B A

MRF-02A



P T B A

MRF-02B



P T B A

MRF-02D

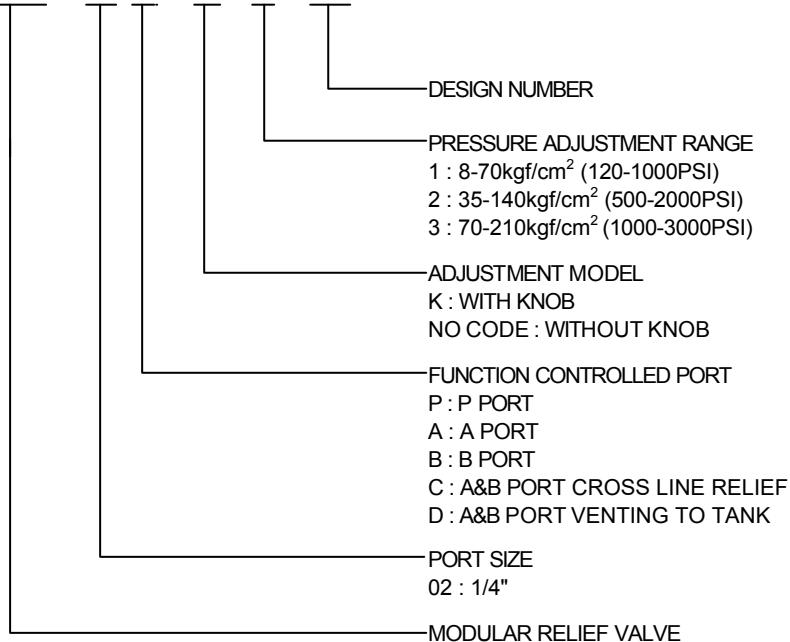


P T B A

MRF-02C

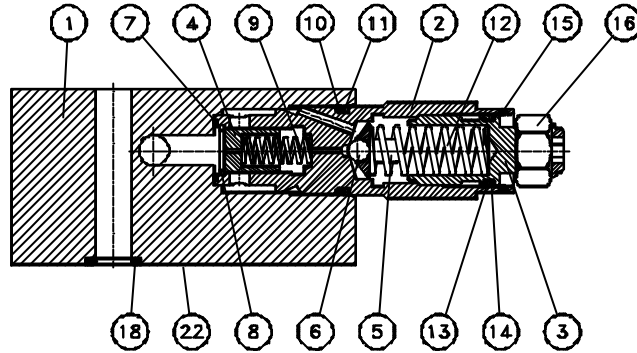
HOW TO ORDER

MRF - 02 P - K - 1 - 20



SPECIFICATIONS

MAX. OPERATING PRESSURE	210 kgf/cm ² (3000 PSI)
MAX. FLOW CAPACITY	35 LPM (9.3 GPM)

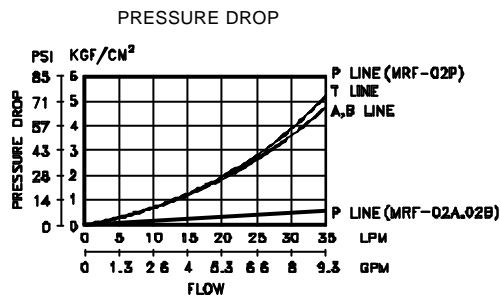
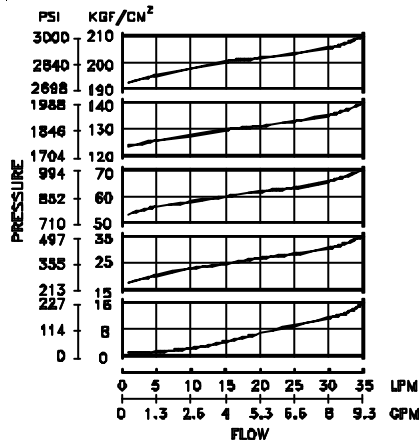


NO.	DESCRIPTION	SPEC.	NO.	DESCRIPTION	SPEC.
7	O-RING	M12	14	BACK-UP RING	AS568-014
10	O-RING	AS568-017(70°)	18	O-RING	AS568-012(90°)
13	O-RING	AS568-014(70°)			

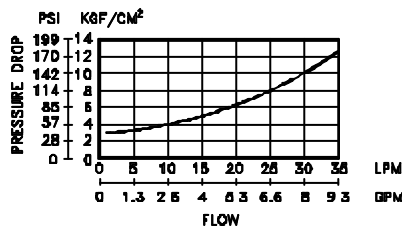
PERFORMANCE CURVES

TEST FLUID VISCOSITY : 35 cSt
(175 SSU)

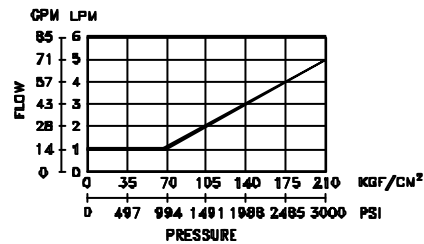
NOMINAL OVERRIDE
CHARACTERISTICS



MIN. ADJUSTMENT PRESSURE

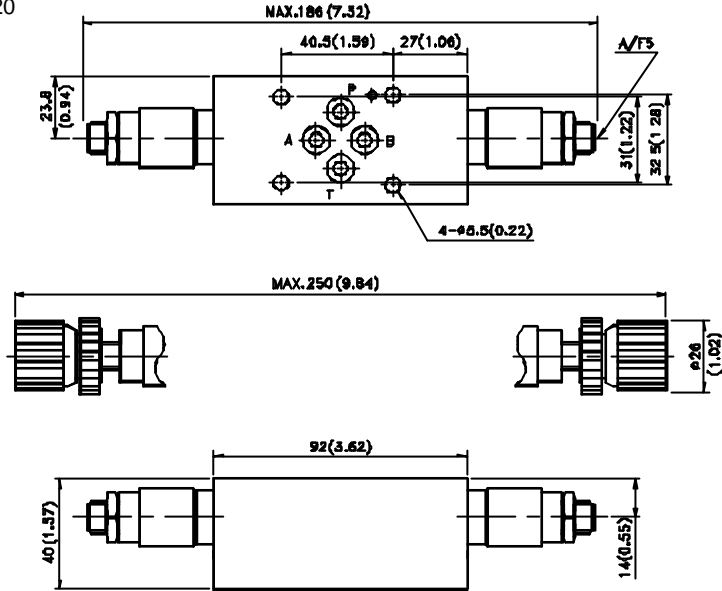


MIN. FLOW
CHARACTERISTICS



UNIT: mm(inch)
 WEIGHT: 1.7 kgs(3.75 lbs)

MRF - 02C - * - * - 20



MRF - 02D - * - * - 20

