

EM1 series

Gauge isolator valves



EM1 GENERAL INFORMATION

Technical data

Gauge isolator valves

Gauge isolator valves are designed to protect pressure gauges from pressure shocks when the pressure reading is not required; after each reading setting the selector to the closed position serves to depressurise the pressure gauge by means of the T fitting connected to the reservoir.

3 and 6-way pressure gauge selectors perform the same function as the gauge isolator valves, allowing pressure values from different parts of the system to be read using a single pressure gauge.

Working instructions:

- Button not pressed: pressure gauge isolated
- Button pressed: pressure gauge reading
- Button pressed and turned (either to left or right): button remains in position and pressure gauge measures pressure continuously.
- To isolate the pressure gauge from pressure reading, turn the button until it returns to the not pressed position.

Materials A-B

- Body: Cast iron
- Pin: Steel
- Seals: NBR, FPM
- Knob/cover: Nylon
- Stop ring: Steel
- Spring: Steel
- Nameplate: Aluminium
- Nut-screw: Galvanized steel

Materials C

- Body: Cast iron
- Pin: Steel
- Seals: NBR, FPM
- Knob/cover: Nylon
- Stop ring: Steel
- Spring: Steel
- Nameplate: Aluminium
- Nut-screw: Galvanized steel
- Plug: Anodized steel

Operating pressure

400 bar

Operating temperature

From -25 °C to + 100 °C

Weight

- EM1 version A 0.41 kg
- EM1 version B 0.44 kg
- EM1 version C 1.00 kg

Quantity

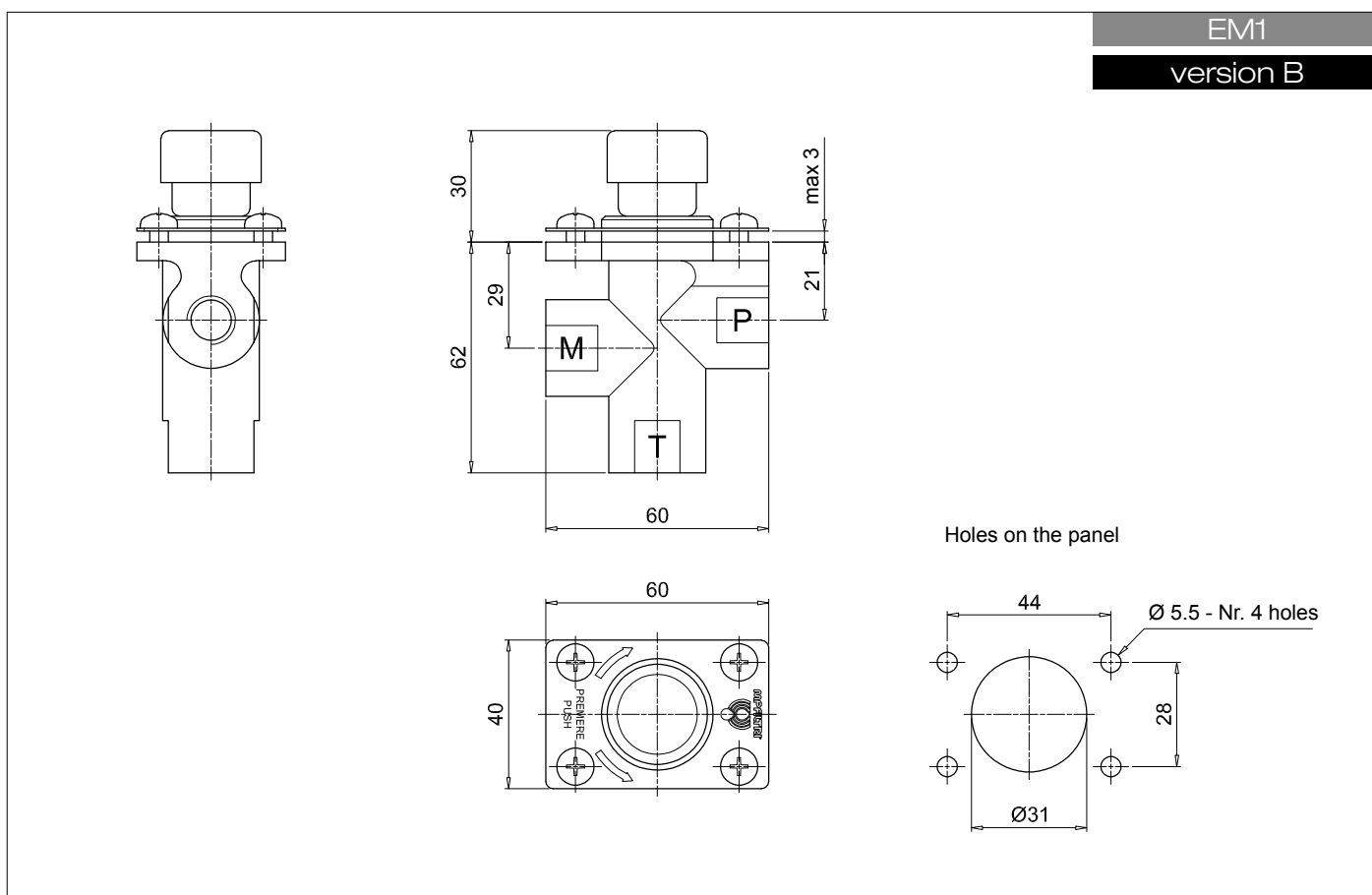
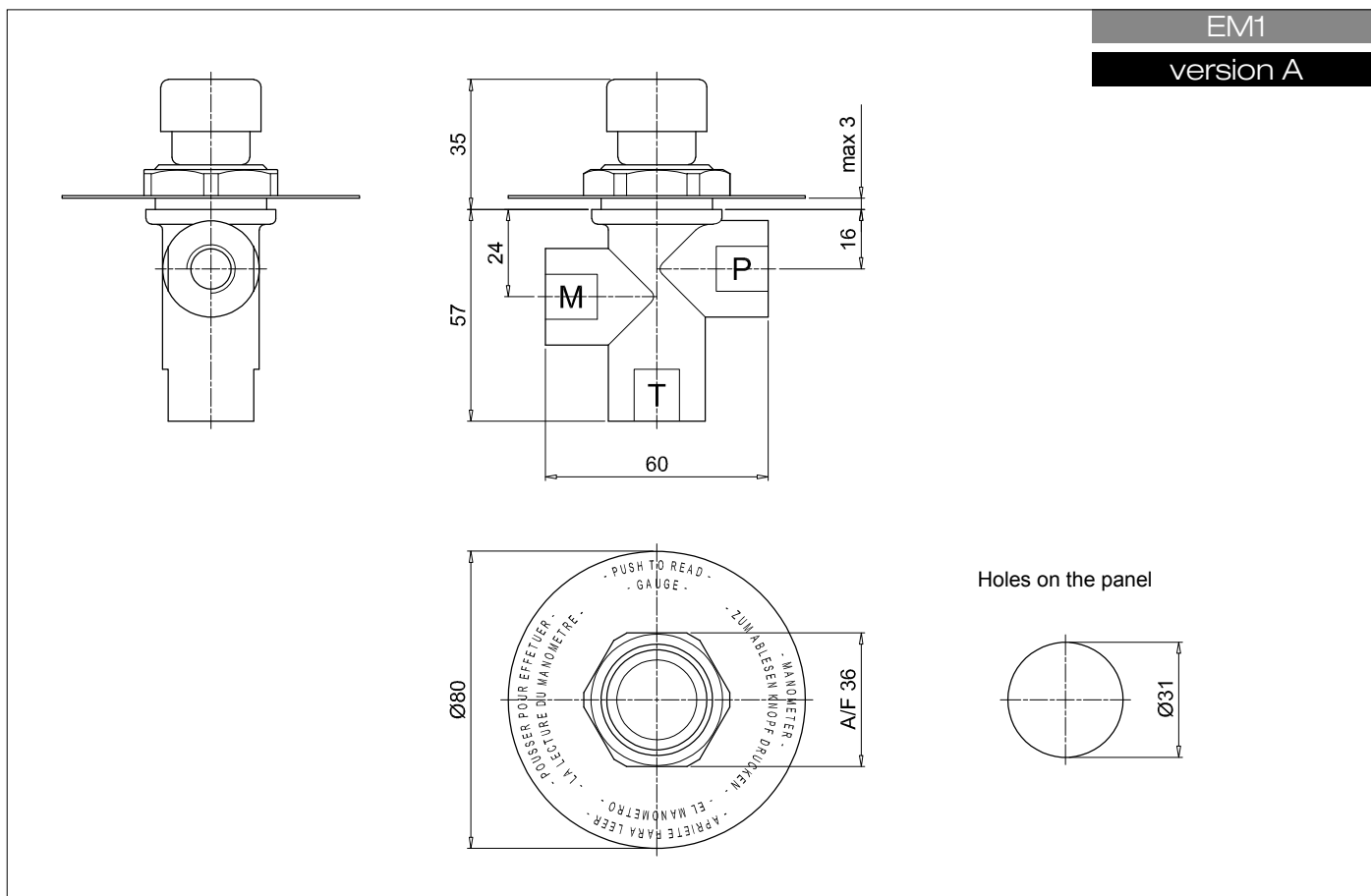
25 pcs/pack



Designation & Ordering code

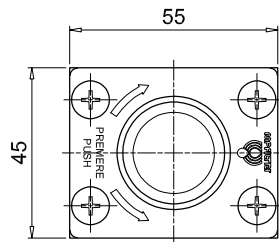
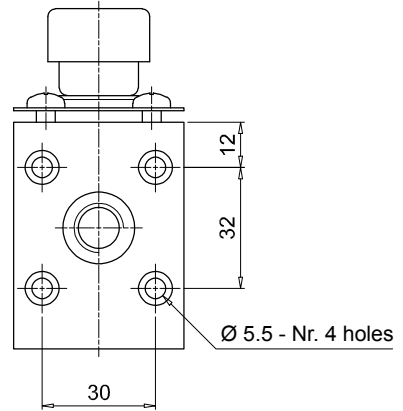
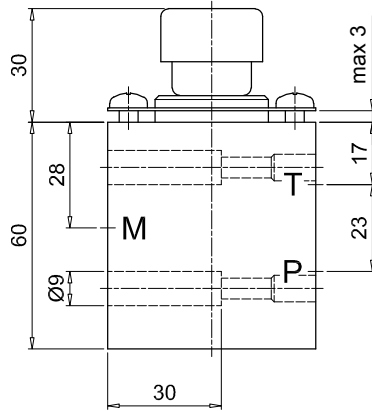
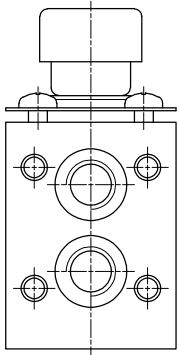
EM1

Series and size	Configuration example : EM1 A G2 A P01				
EM1					
Version					
A Threaded connections, panel mount with hex nut					
B Threaded connections, panel mount with screws					
C Manifold/threaded connections, panel mount with screws					
Connection					
G1 G 1/4"					
G2 1/4" NPT					
G3 SAE 5 - 1/2" - 20 UNF					
Seals					
A NBR					
V FPM					
Execution					
P01 MP Filtri standard					
Pxx Customized					



EM1

version C



Holes on the panel

