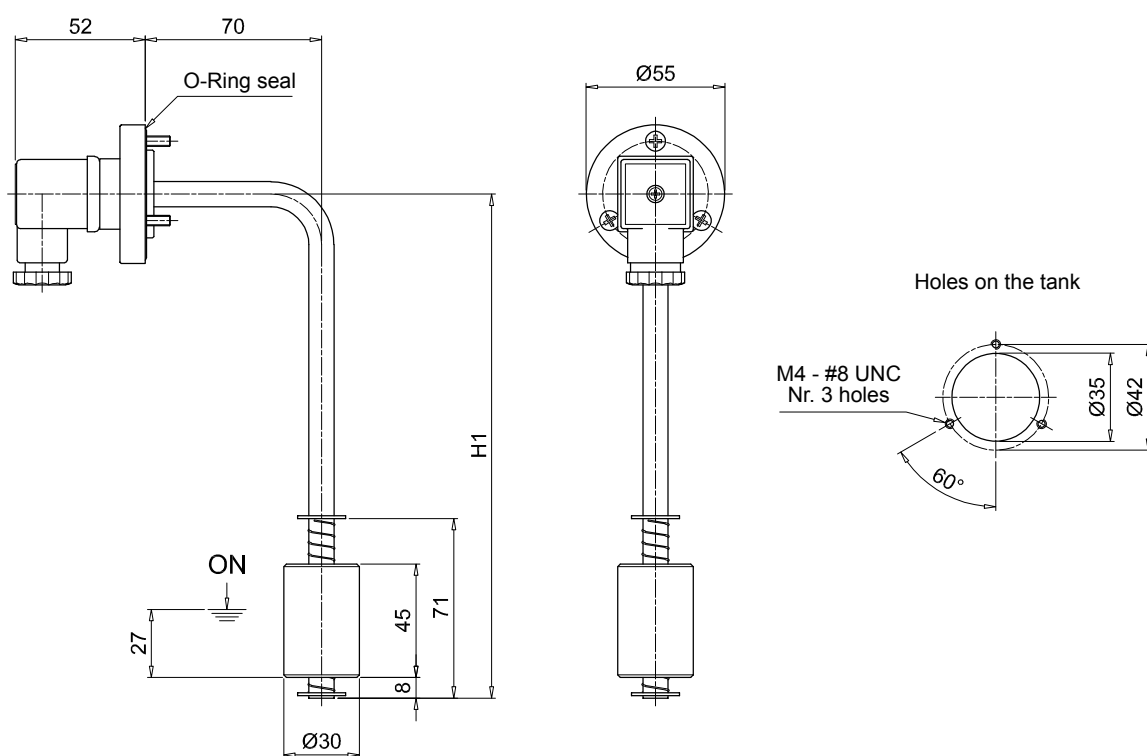


LEG	
Size	H1 [mm]
LEG 102	103
LEG 200	200



Note: for installation onto OB Cleaning covers see page 147