

SUBPLATE (CETOP 3)

TYPE

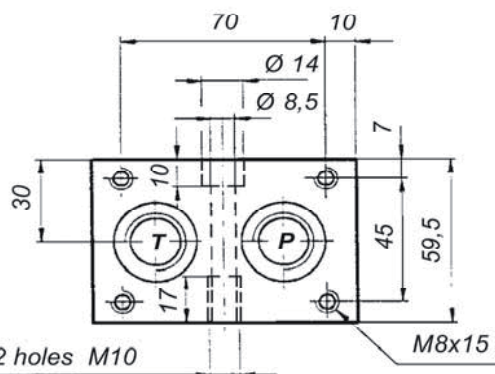
P06-M 38/n°

CODE

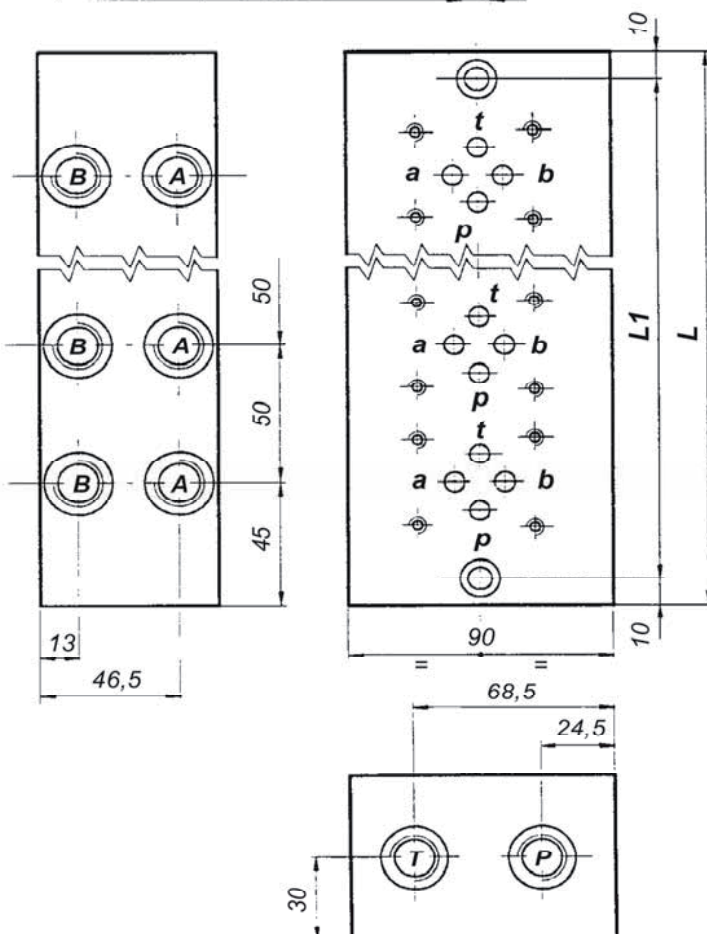
900H55X3003000

MOUNTING SUBPLATES FOR SOLENOID VALVES
(CETOP3) PARALLEL CONNECTION.
ON REQUEST SERIAL CONNECTION

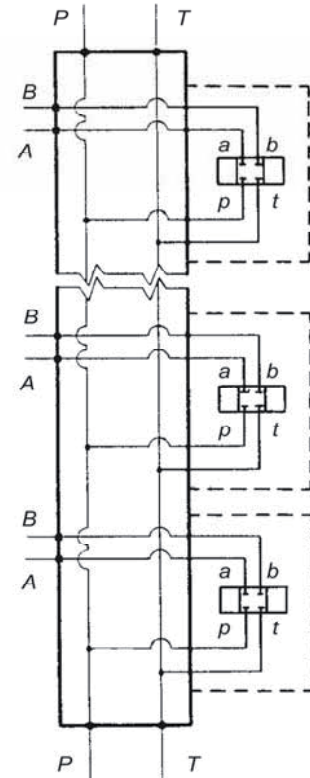
MATERIAL: **ALLUMINIUM**
PORT SIZE: **A and B 3/8" BSPP**
P and T 1/2" BSPP
MAX. WORKING PRESSURE: **250 bar**



(On Request) n.2 holes M10



SYMBOL



X	TYPE	L mm.	L1 mm.	Weight Kg.
111	P06 - M 38/ 1	90	70	1,22
112	P06 - M 38/ 2	140	120	1,89
113	P06 - M 38/ 3	190	170	2,56
114	P06 - M 38/ 4	240	220	3,24
115	P06 - M 38/ 5	290	270	3,91
116	P06 - M 38/ 6	340	320	4,59
117	P06 - M 38/ 7	390	370	5,26
118	P06 - M 38/ 8	440	420	5,94