

# PRESSURE TRANSMITTER

## Product Description

The MediaSensor™ (SPT) family of bulk micro-machined, absolute, gage and sealed pressure transducers and transmitters are for both harsh and benign media with the superior typical accuracy of  $\pm 0.5\%$  overall full scale at room temperature and  $\pm 1\%$  overall full scale over 0 to 60°C. These compact, robust sensors measure pressures from 1 BAR to 350 BAR and are well suited for a variety of automotive, industrial and commercial applications.

## Typical Applications

- Refrigeration
- Pumps
- Process Control
- Pneumatics
- Flow
- Agriculture
- Fuel Cells
- Hydraulics
- Spraying Systems
- Compressors
- Robotics
- Hydrogen Storage

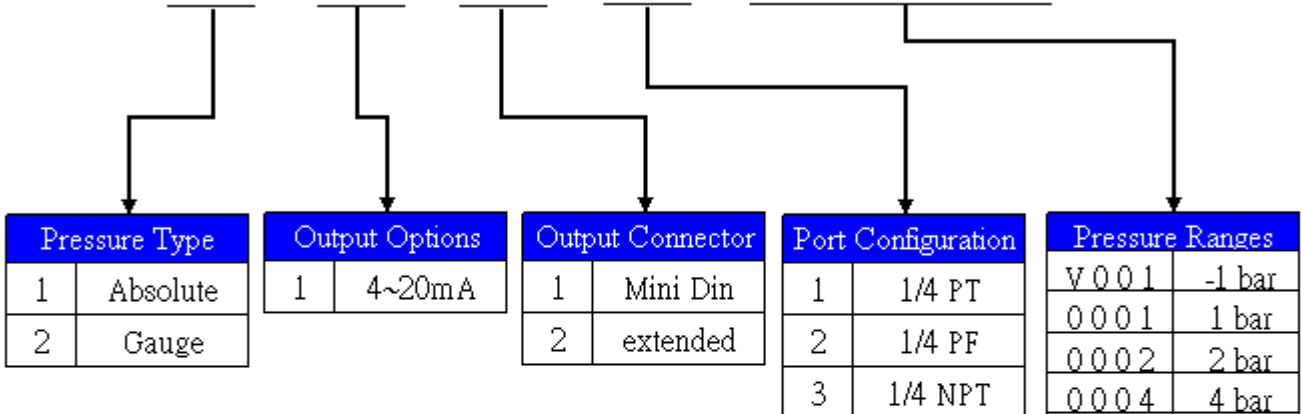
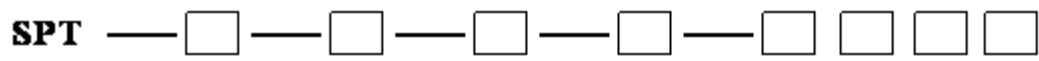
## Special Features

- Superb Accuracy -  $<\pm 0.5\%$
- Maximum Flexibility - Custom ASIC provides signal conditioning for calibration and temperature compensation
- Compact size, excellent price/performance ratio
- Robust Package - All laser-welded stainless steel design for optimal media isolation
- Standard and custom options available
- 5 Volt input with 0.5 - 4.5 Volt output
- 12—30 Volt input with A -20 mA & 1 - 5 Volt output



## ORDERING INFORMATION :

Example :



**Range** : 0... bar  
**Output** : 4...20 mA  
**Accuracy**:  $\pm 0.5\%$  FS  
**Temp.** : 0...60°C  
**Power** : 12...32VDC

