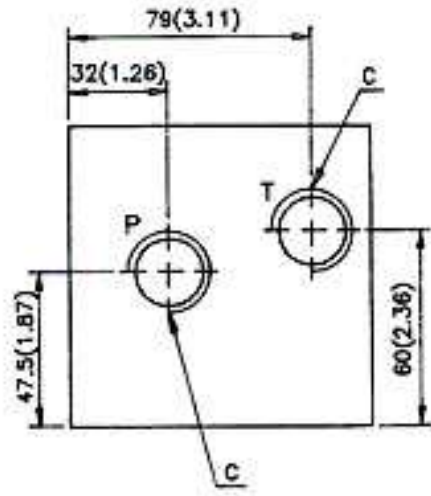
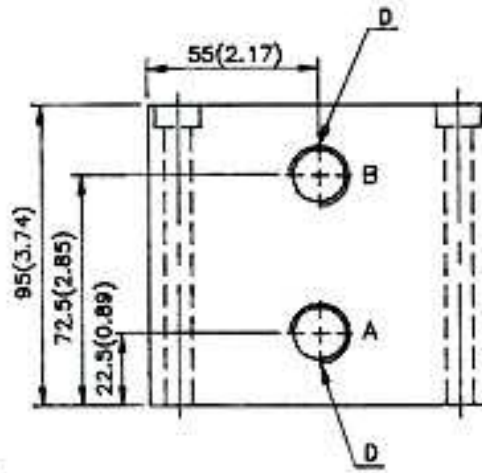
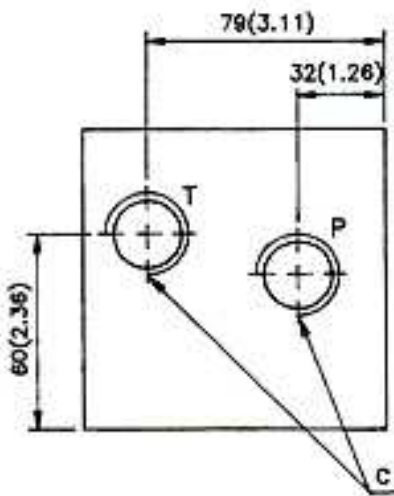
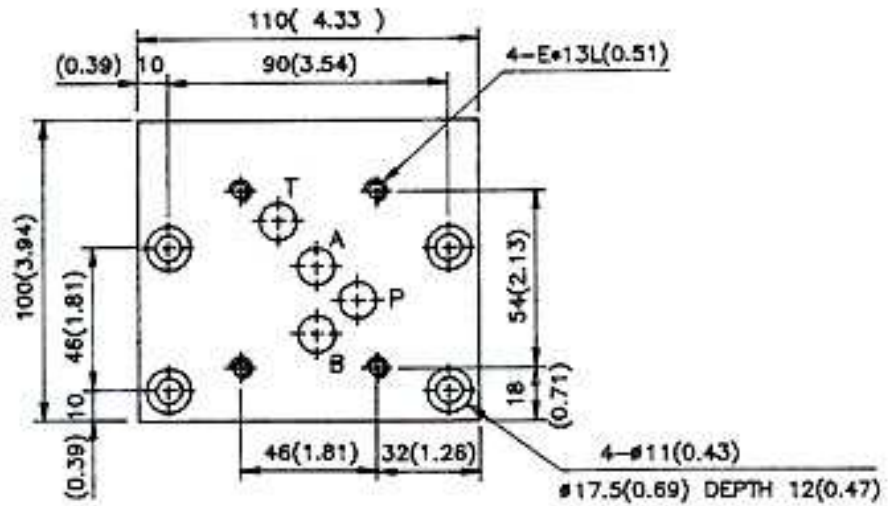


M03 BASE PLATE SERIES

DIMENSIONS

UNIT- MM (INCH)
WEIGHT- 6.4 KGS

M03-1E-



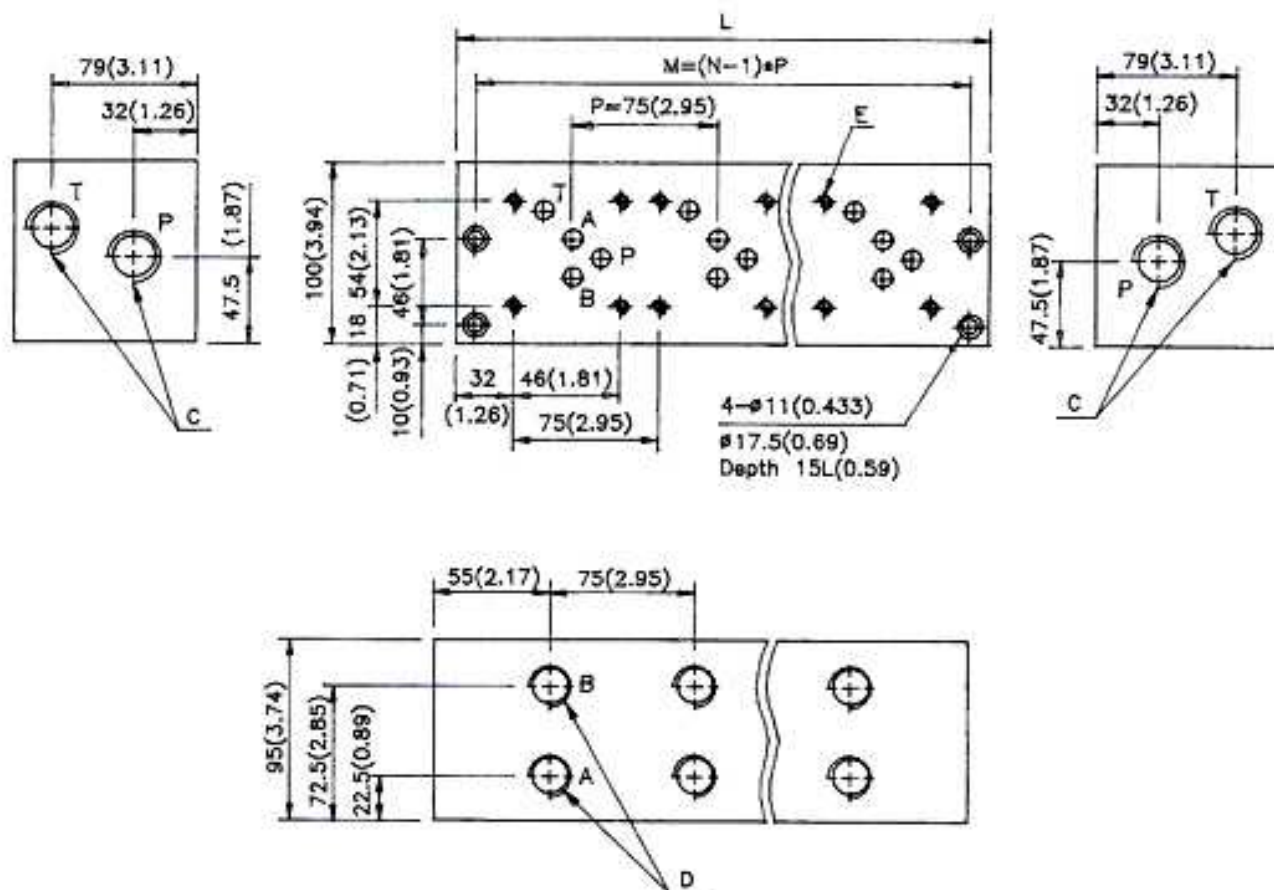
MODEL	C	D	E
M03-1E-	1 PT3/4"	PT1/2"	M6×1P
	2 NPT3/4"	NPT1/2"	1/4-20UNC

M03 BASE PLATE SERIES

DIMENSIONS

UNIT: MM (INCH)

M03-E-



MODEL	C	D	E	N	M	L	WEIGHT: kgs(Lbs)	
M03-2E-	1	PT3/4"	PT1/2"	M6 × 1P	2	165	185	13.8 (20.3)
	2	NPT3/4"	NPT1/2"	1/4-20UNC		(6.50)		
M03-3E-	1	PT3/4"	PT1/2"	M6 × 1P	3	240	260	19.5 (42.9)
	2	NPT3/4"	NPT1/2"	1/4-20UNC		(9.45)		
M03-4E-	1	PT3/4"	PT1/2"	M6 × 1P	4	315	335	25.0 (55.0)
	2	NPT3/4"	NPT1/2"	1/4-20UNC		(12.40)		
M03-5E-	1	PT3/4"	PT1/2"	M6 × 1P	5	390	410	31.0 (68.2)
	2	NPT3/4"	NPT1/2"	1/4-20UNC		(15.35)		

※INDICATING WEIGHT FOR STEEL BLOCK MATERIAL