

TSD GENERAL INFORMATION

Technical data

Filler plugs

Nylon filler plug

TSD is a range of nylon compact air breathers and filler plugs for protection of the tank against the solid contamination contained into the air and filling of the fluid into the systems during the commissioning and maintenance procedures.

They are usually directly fitted on the tank.

Available features:

- Male threaded connections up to G 1 1/2"
- Metal filtration, to hold the coarse contamination contained into the air
- Caps with different graphics and colours, for the use in several applications
- Dipstick, to monitor the fluid level into the tank even in complicated positions
- Antisplash, to avoid fluid coming out through the air breather due to sloshing

Common applications:

- Hydraulic systems
- Mobile machines
- Industrial equipment

Materials

- Body: Nylon
- Cover: Nylon
- Seal: NBR
- Filter: Galvanized steel
- Anti-splash feature: Nylon
- Dipstick: Phosphatized steel

Temperature

From -25 °C to +100 °C

Weight

TSDG16	15 g
TSDG20	25 g
TSDG26	28 g
TSDG33	60 g
TSDG42	69 g
TSDG48	74 g

Quantity

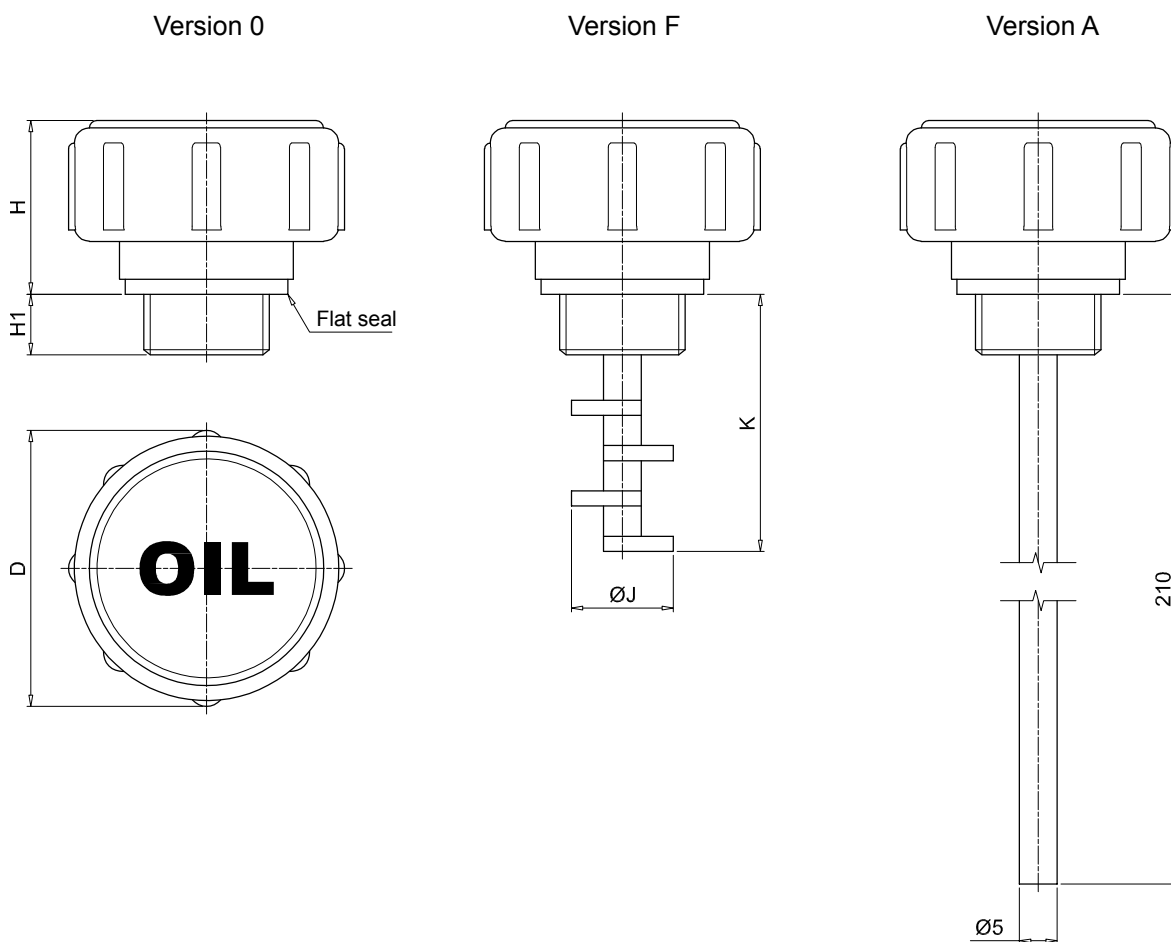
25 pcs/pack



Designation & Ordering code

FILLER PLUG - TSD

Series and size	Configuration example :								
TSD	TSD	G26	R	G	A	F	S	PO1	
Connections to the tank									
G16 Thread G 3/8"	G33 Thread G 1"								
G20 Thread G 1/2"	G42 Thread G 1 1/4"								
G26 Thread G 3/4"	G48 Thread G 1 1/2"								
Cover colour									
R Red	Y Yellow								
Cover wording									
O Oil									
N Neutral									
G Gasoil									
Seals									
A NBR									
Filter element	Cover wording								
O Without filter element	N	O	G						
A Steel filter element	•	•	•						
Version									
S Standard									
A With dipstick									
F With anti-splash feature									
								Execution	
								P01 MP Filtri standard	
								Pxx Customized	



Connections	ØD [mm]	H [mm]	H1 [mm]	ØJ [mm]	K [mm]
G16	36.5	23	8	13.5	34
G20	40.5	23	9	17.5	34
G26	46.5	23	10	23.5	35
G33	52.5	24	11	29.5	42
G42	67.5	31.5	12	38	45
G48	67.5	31.5	11	38	45