

HSV10-20

二位二通电磁阀 锥阀型 常闭型

Normally-Closed, Two-Way, Two-Position, Pilot-Operated Cartridge Solenoid Valve

OPERATION

工作原理

When de-energized, the valve acts as a check valve, allowing flow from ① to ②, while blocking flow from ② to ①.

When energized, the poppet lifts to open the ② to ① flow path.

当电磁铁不通电时，①到②相当于单向阀，②到①关闭；

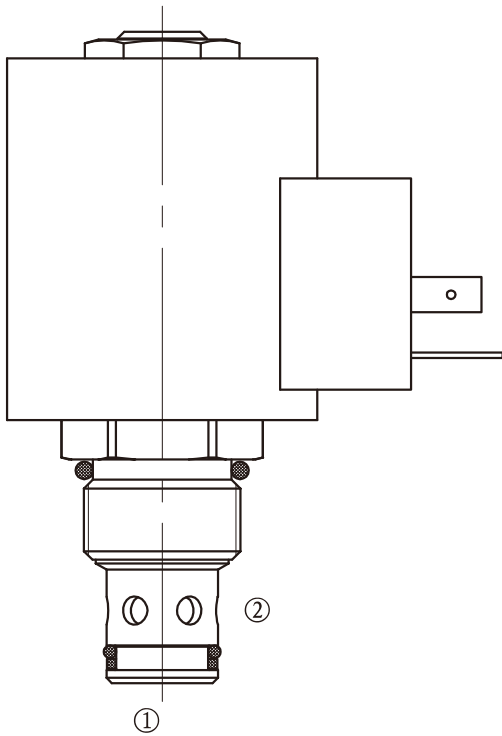
当电磁铁通电时，②到①开启。

Operation of Manual Override Option : To override, push button in, twist counterclockwise and release. In this position, the valve will remain open in a detented condition.

To return to normal operation, push button in, twist clockwise and release. Override will be detented in this position.

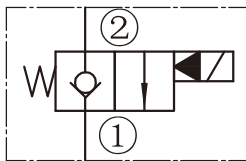
先推进按钮，然后逆时针方向旋转，释放。此时阀口打开；返回到常态推进按钮，然后顺时针方向旋转，释放。旋钮将被固定在这位置。

先推进按钮，然后逆时针方向旋转，释放。此时阀口打开；返回到常态推进按钮，然后顺时针方向旋转，释放。旋钮将被固定在这位置。



SYMBOL

机能符号



FEATURES

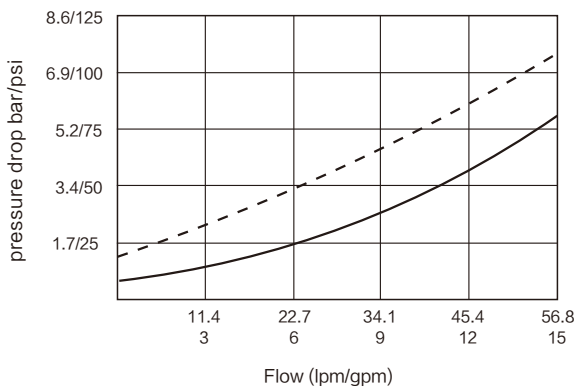
特性

- Continuous-duty solenoid. · 可持续工作的电磁铁。
- Hardened seat for long life. · 长寿命的阀。
- Efficient wet-armature construction. · 高效能电磁铁结构。
- Optional coil voltages and terminations. · 可选择线圈电压和终端。
- Industry common cavity. · 工业通用插孔。
- Compact size · 结构紧凑。

PRESSURE DROP VS.FLOW

性能图

- ② to ① ——— Energized: 通电
 - ① to ② - - - - De-Energized: 不通电
- 32 cSt/150 sus Oil at 40°C



SPECIFICATIONS

技术参数

最大工作压力 Max.operating pressure: 207 Bar

流量 Flow rate(L/min): 参见性能图 See Pressure Drop Vs.Flow graph

内泄漏 Internal Leakage: 3 drops/min.Max at 207 Bar

介质温度范围(°C)Fluid temperature range(°C): -30~+120

线圈电压范围 Coil Rating: 90%~110% Of rated Voltage

过滤 Filtration: Critical Application - ISO 18/16/13

Non-Critical Application - ISO 19/17/14

介质 Fluids: 矿物油。其它流体的选择请咨询工厂。

Mineral-based fluids.

For other fluid compatibility consult factory.

插孔 Cavity: 10-2

阀块材料 Body Material:

6061-T6铝，允许使用最大压力20.7MPa

Anodized 6061-T6 aluminum alloy rated at 20.7MPa

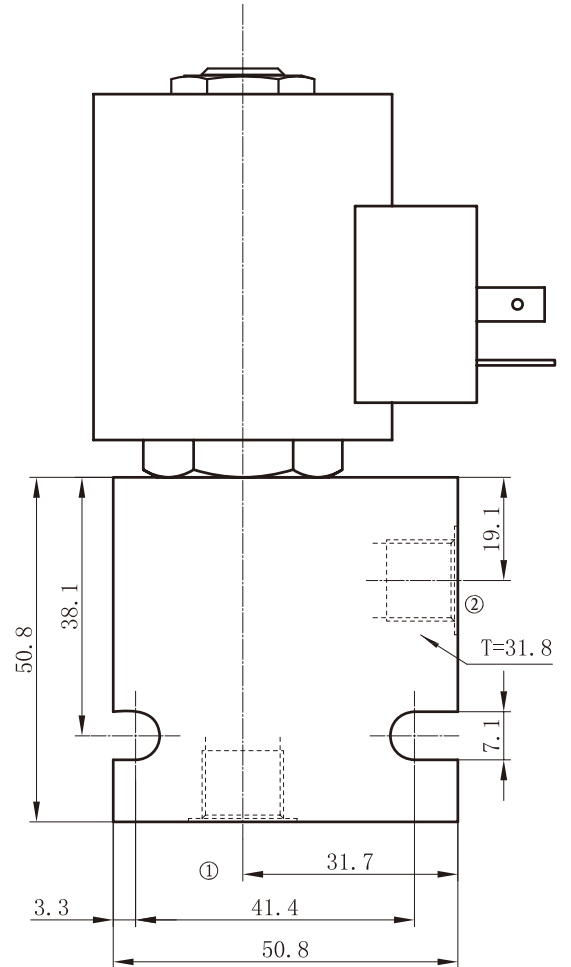
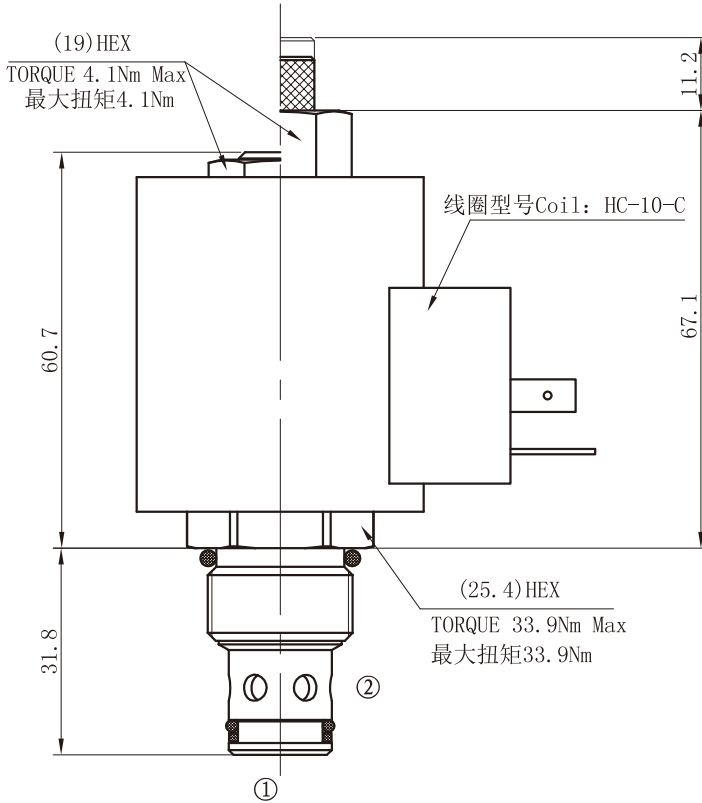
钢材允许使用最大压力35MPa

Steel rated at 35 MPa

INSTALLATION DIMENSIONS 安装尺寸

Coil Must Be Installed With Lettering Up
安装线圈时，字母必须朝上。

Unit=Millimeters



HSV10-20 * - * - * * - *

电磁阀 Solenoid Valve

M=Manual Override 手动卸荷
Omit for standard 省略为常规

油封 Seal Kits
无=丁腈橡胶 (标准型)
Omit for Buna N (standard)

VOLTAGE 电压
1=12V Volt DC
2=24V Volt DC
3=110V Volt AC
4=220V Volt AC

BODY PORTING 阀块油口
6T=SAE6
8T=SAE8
3G=G3/8
4G=G1/2

Other Porting is Available
其它螺纹油口也是可以选择的
(Omit for Cartridge only
省略为不带阀块)

COIL CONNECTION 线圈连接
D=Double Lead 双线
H=Hirschmann 三插
ER=Deutsch Connector
(Water proof Coil)
德意志插座 (防水线圈)