

MINI PRESS GAS CHARGING KIT VLGKITAZ

Complete set for accumulator gas charging, pressure regulation
and testing.



MINI PRESS GAS CHARGING KIT VLGKITAZ

Complete set for accumulator gas charging, pressure regulation and testing.

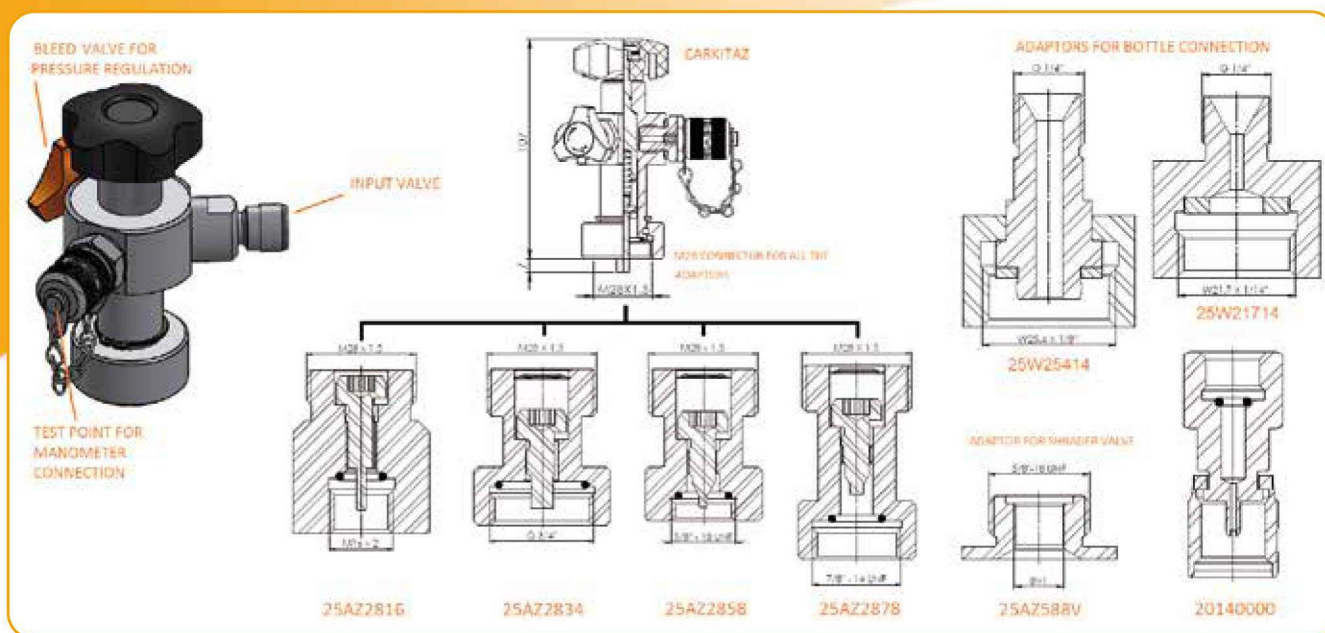


Charger Functional Characteristics

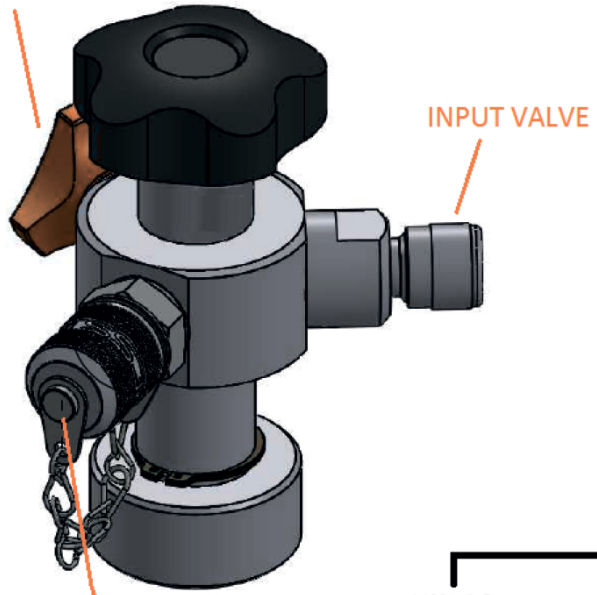
- ▶ M28 x 1.5 female connection with 4 adaptors, that allow different output (M16x2, G3/4", 5/8"-18 UNF, 7/8"-14 UNF)
- ▶ Input valve with 2.5 m charging hose (up to 400 Bar) for bottle connection and relative adaptors for 2 types bottle output (W25.4x1/8" and W21.7x1/14")
- ▶ Bleed valve for pressure adjustment
- ▶ Test coupling valve for gauge connection, with 2 gauges (0-60 Bar and 0-250 Bar) and adaptors
- ▶ Additional adaptor for Shrader valve connection
- ▶ Gasket set and 6 mm A/F Allen wrench

See below table for items codification

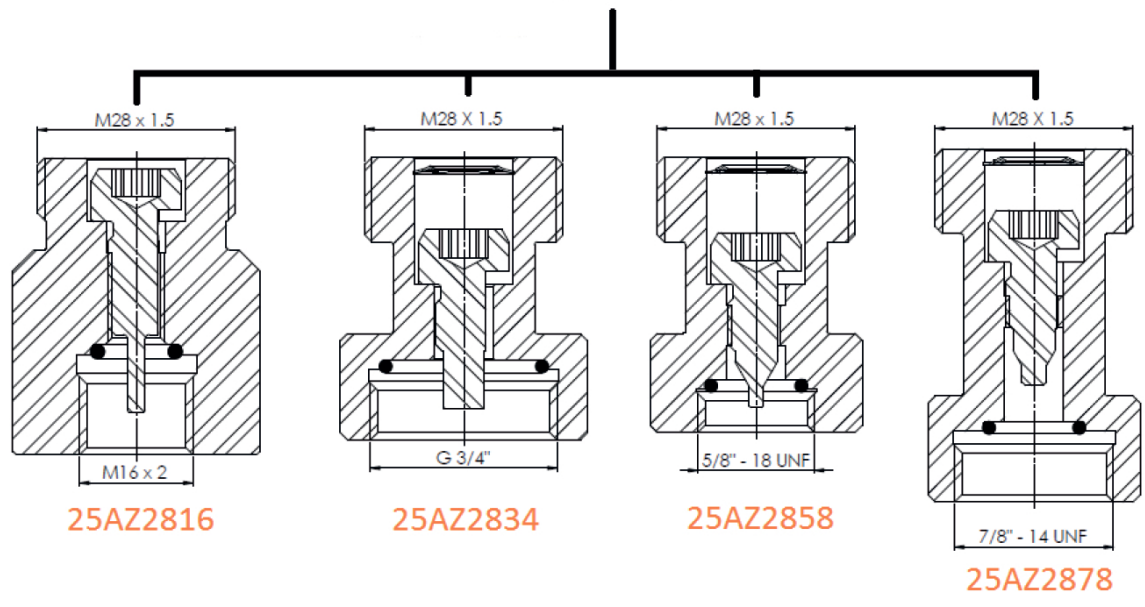
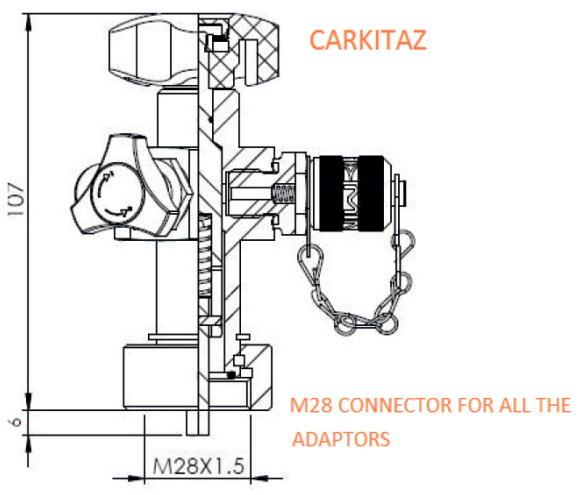
Item	Mini Press code
Gasket set	GUAKITAZ
Gauge 0-60 Bar	063.60R
Gauge 0-250 Bar	063.250R
2 Direct gauge connection 1/4" - female M16x2	20140000
Adaptor for bottle connection W25.4x1/8"	25W25414
Adaptor for bottle connection W21.7x1/14"	25W21714
Adaptor for Shrader valve (5/8" - 18 UNF / 8V1)	25AZ588V
Charger	CARKITAZ
6 mm A/F Allen wrench	BRUCH6
Adaptor M28x1.5 - M16x2	25AZ2816
Adaptor M28x1.5 - G 3/4"	25AZ2834
Adaptor M28x1.5 - 5/8"-18 UNF	25AZ2858
Adaptor M28x1.5 - 7/8"-14 UNF	25AZ2878
2.5 m flexible hose (400 bar max working pressure)	RD63814038140L2500



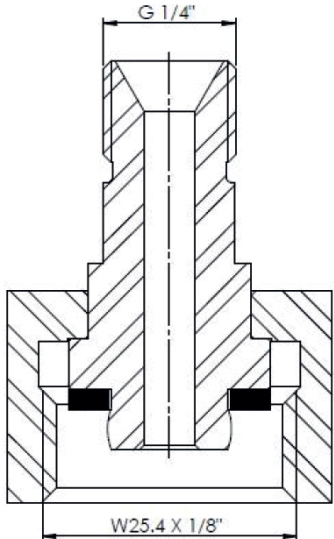
BLEED VALVE FOR PRESSURE REGULATION



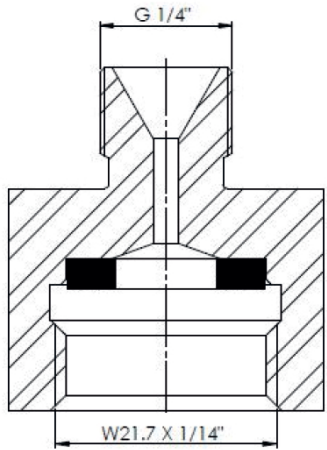
TEST POINT FOR MANOMETER CONNECTION



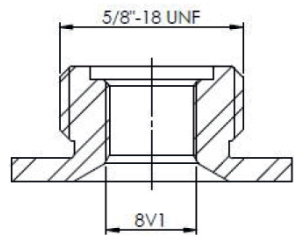
ADAPTORS FOR BOTTLE CONNECTION



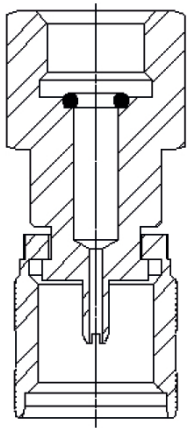
25W25414



25W21714



25AZ588V
ADAPTOR FOR SHRADER VALVE



20140000
DIRECT GAUGE ADAPTER