

## 2.5" DIGITAL SWITCH GAUGES



SDI2.5-L-□-□-□□□



SDI2.5-B-□-□-□□□

### APPLICATIONS

Hi-techs; Process control; Compressors Refrigeration; Fluids Pumps; Sprinkling system; Agriculture Hydraulic; Pneumatic; average industry

### FEATURE OF PRODUCTS

- High precision at  $\pm 0.5\%$
- Backlight display; Zero reset; Switching between 4 types of PSI · Bar ·  $\text{kg}/\text{cm}^2$  · Mpa ·
- 17-4PH one-piece-formed sensor, 100% without welds, O-ring or silicone oil; 100% leakage-proof.
- PP casing, can be used in weak acid or alkaline environment.
- Capable of  $-10\sim 60^\circ\text{C}$  temperature compensation.
- Capable of Peak-Hold.
- Diaphragm Base installable
- Corrupt pressure: 5 times working pressure
- Over-pressure protection: Twice working pressure
- Service life: 10 million

### SPECIFICATIONS

### CONTENTS

DIMENSION	63mm
ACCURACY	$\pm 0.5\%$ FS
FLUIDS SUITED	Water, Air, Hydraulic fluid
PRESSURE RANGE	-1~700 BAR
TEMPERATURE	Working temp $-10^\circ\text{C}\sim 60^\circ\text{C}$ (non-frozen condition) Storage temp $-20^\circ\text{C}\sim 70^\circ\text{C}$ (F66non-frozen condition) Medium temp $-55^\circ\text{C}\sim 125^\circ\text{C}$ (non-frozen condition) Storage humidity 35-85%
CONNECTORS	1/4" PT.NPT.BSP or other. SS316, LM or CBM
DIGIT SIN DISPLAY	4-digit LCD. WINDOW 36X19mm
CASE	PP
DIAL	PC
SOURCE VOLTAGE	DC:12V-24V
CURRENT DRAWN	Max:25mA (Single back-light) Not include control output drawn
CONTROL OUTPUT	2 sets of output : NPN/PNP-Open Collector Load current: <100mA Voltage (NPN): Max DC30V Voltage (PNP): Max supplied voltage

## 2.5" DIGITAL SWITCH GAUGES



SDI2.5-L-□-□-□□□

SDI2.5-B-□-□-□□□

## 2.5" DIGITAL PRESSURE GAUGES



SDI2.5-L-3-□-□□□

### APPLICATIONS

Hi-techs; Process control; Compressors Refrigeration; Fluids Pumps; Sprinkling system; Agriculture Hydraulic; Pneumatic; average industry

### FEATURE OF PRODUCTS

- High precision at  $\pm 0.5\%$
- Backlight display; Zero reset; Switching between 4 types of PSI · Bar ·  $\text{kg}/\text{cm}^2$  · Mpa ·
- AISI Stainless Steel 17-4PH one-piece-formed sensor, 100% without welds, O-ring or silicone oil; 100% leakage-proof.
- PP casing, can be used in weak acid or alkaline environment.
- Capable of  $-10\sim 60^\circ\text{C}$  temperature compensation.
- Capable of Peak-Hold.
- Diaphragm Base installable
- Corrupt pressure: 5 times working pressure
- Over-pressure protection: Twice working pressure
- Service life: 10 million

### SPECIFICATIONS

### CONTENTS

DIMENSION	63mm
ACCURACY	$\pm 0.5\%$ FS
FLUIDS SUITED	Water, Air, Hydraulic fluid
PRESSURE RANGE	-1~700 BAR
TEMPERATURE	Working temp $-10^\circ\text{C}\sim 60^\circ\text{C}$ (non-frozen condition) Storage temp $-20^\circ\text{C}\sim 70^\circ\text{C}$ (F66non-frozen condition) Medium temp $-55^\circ\text{C}\sim 125^\circ\text{C}$ (non-frozen condition) Storage humidity 35-85%
CONNECTORS	1/4" PT.NPT.BSP or other. SS316. LM
DIGIT SIN DISPLAY	4-digit LCD. WINDOW 36X19mm
CASE	PP
DIAL	PC
SOURCE VOLTAGE	9V Battery
CURRENT DRAWN	Max:25mA (single back-light)
BATTERY LIFE	4000 hours(non back-light)

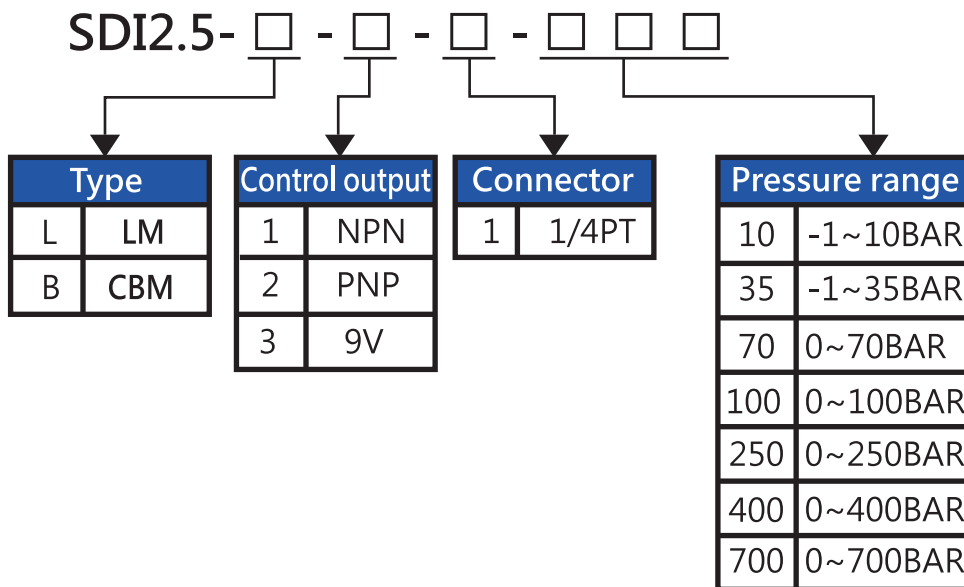
## 2.5" DIGITAL PRESSURE GAUGES



SDI2.5-L-3-□-□□□

## 2.5" Digital Switch Gauges Ordering Details and Description of Wiring

### MODEL CODING



### Description of Wiring

