

ELECTRICAL LEVEL GAUGES - 127 mm


XL/127-PLAST-SL
XL/127-PLAST-ST
XL/127-PLAST-SL-ST

- **Material:** transparent polyamide, ultrasonic welded, resistant to hydraulic fluids, synthetic and mineral oils, diesel, some unleaded fluid. Avoid contact with alcohol based solutions and antifreeze liquids, especially at high temperatures.

- **Sealing:** flat rubber back seals NBR 70 Shore.

- **Bolts and flanged nuts:** zinc plated steel, M12.

- **External case:** PA66 30% fiberglass reinforced, with front and side view.

- **Maximum working temperature:** 80°C (176 F).

- **Assembling instructions:** the mounting of the level gauge can be made externally by providing two threaded

holes M12 on 127 mm centre distance, tolerance $\pm 0.2\text{mm}$. Alternatively they can be secured internally through two plain holes $\varnothing 12.5\text{ mm}$ using the flanged nuts provided. Maximum tightening torque suggested: 5 Nm.

Special versions

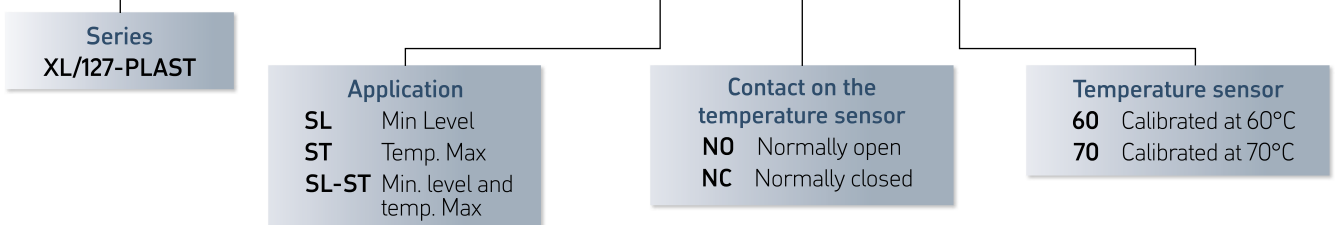
- **Sealing:** FKM type Viton®.

- **Bolts and flanged nuts:** stainless steel, M12.

- **Material -CX:** special resin resistant to fluid containing alcohol and anti-freeze liquids.

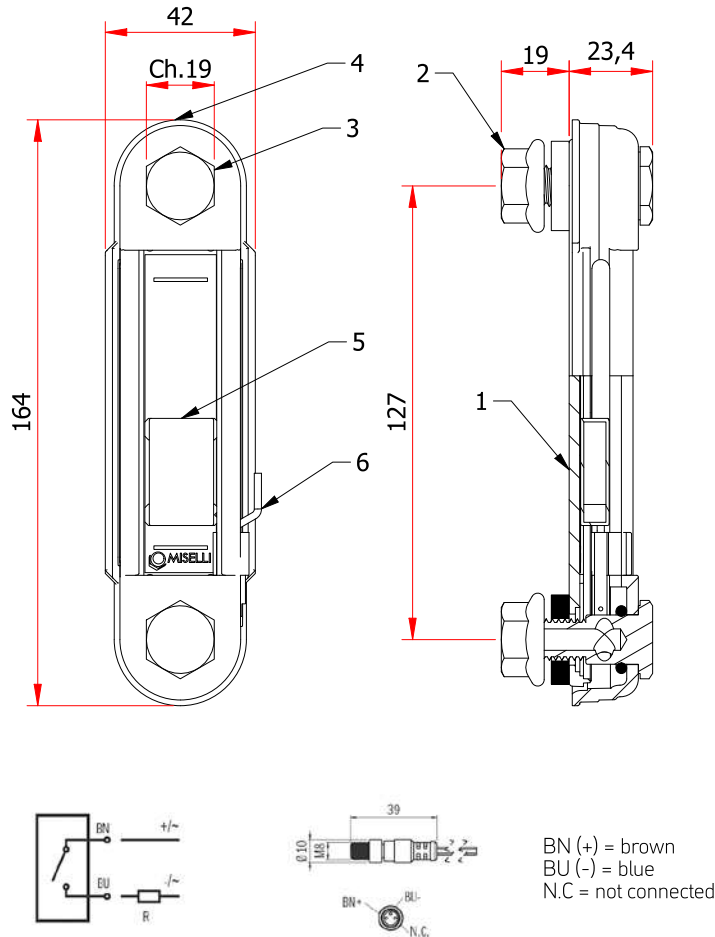
ORDERING CODE

Example: **XL/127-PLAST** — **SL** — **NO** — **70**



XL/127-PLAST-SL

VERTICAL LEVEL GAUGE WITH MINIMUM LEVEL ELECTRICAL SWITCH



-**REED switch** attached on the external guard, adjustable in height according to the level design requirement; standard switch is supplied with power cable 30 cm in length with M8 male connector. On request it is possible to provide a separate connection cable (250 cm in length) complete with female M8 connector.

-**Floating element** made in technopolymer containing a magnet that, when in proximity with the REED sensor, closes the electrical contact.

-**Standard execution: normally open** electrical contact (NO).

-**Operation features:** the vertical level gauge XL/127-PLAST-SL, in addition to allowing a visual inspection, provides an electrical signal when the float element reaches the preset minimum level.

COMPONENTS LIST

Item	Description
1	Transparent body
2	Flanged hex M12
3	Hollow bolt M12
4	Plastic guard
5	Magnetic floating element
6	"REED" sensor with M8 male connector

ELECTRICAL CHARACTERISTICS "REED" SWITCH

Sensor type	"REED" 2 wires
Supply voltage	3-30 Vac/dc
Electrical contact	NO Normally open
Switching current	0,2 A
Power rating (Ohmic load)	6 W
Working temperature	-10°C/+70°C
Protection degree	IP67