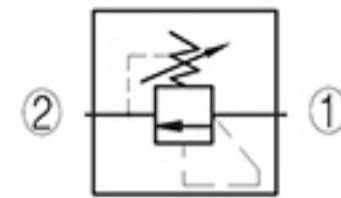
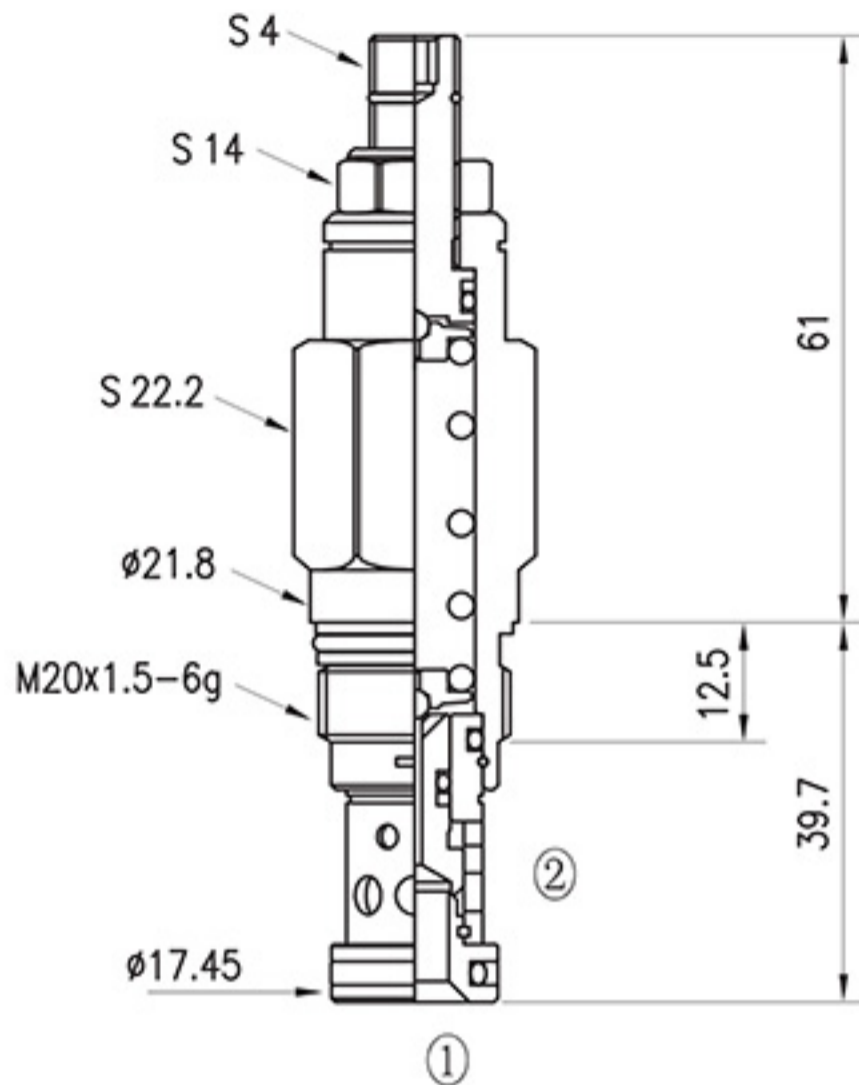


直动式溢流阀

Directly Operated Relief Valves

TRDDA-□□□



技术参数 SPECIFICATIONS

最大工作压力	Max working Pressure:	350bar
可通过最大流量	Flow Max:	See Performance Chart
内泄漏量	Internal Leakage:	0.7cc/min/350bar
过滤精度	Filtration Of Oil :	25 μ m or better
使用温度	Temperature :	-30 ~ +110°C
插孔	Cavity :	T-10A, see page209
安装扭矩	Installation Torque:	40 ~ 45Nm

工作状态 WORKING POSITION

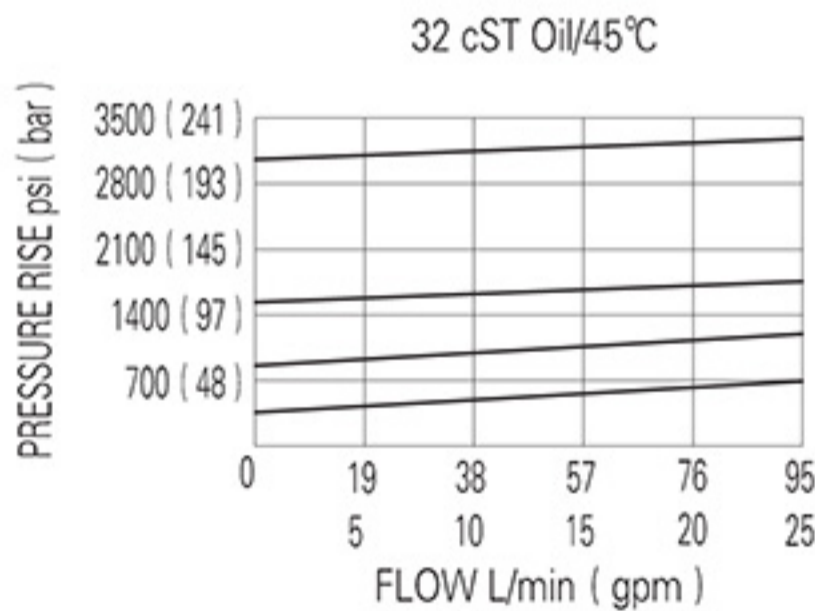
当在①口的压力超过调压弹簧设定的压力时，锥阀芯打开，①到②通，防止系统过压。

The valve prevents flow from ① to ② until the set crack pressure at ① is achieved.

The poppet then unseats allowing flow from ① to ② protecting the circuit from over pressurization.



PERFORMANCE



TO ORDER

TRD DA-□-□-□

直动式溢流阀
Directly Operated Relief
Vales

控制方式 CONTROL
L = Standard Screw Adjustment

弹簧调压范围 SPRING RANGE

A = 35 ~ 210 bar,	preset : 70 bar
B = 20 ~ 105 bar,	preset : 70 bar
C = 70 ~ 420 bar,	preset : 70 bar
D = 14 ~ 55 bar,	preset : 25 bar
E = 7 ~ 25 bar,	preset : 14 bar
W = 70 ~ 315 bar,	preset : 70 bar

油封 SEAL KITS
N = Buna 丁腈橡胶
V = Viton 氟橡胶