

ELECTRIC CONTACT THERMOMETERS FOR BOTTOM MOUNTED CAPILLARIES CONNECTION



APPLICATIONS

Transformer dyeing, drier, food processing, boiler, air conditioning equipment, and other industrial machines.

Mechanism & Circuit structure of electric contactor

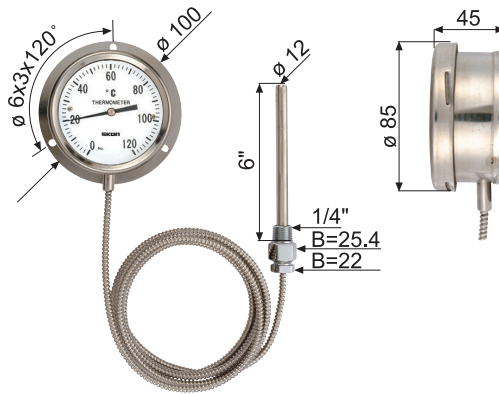
- Thermometers with contactor have made possible the automation of temperature control and increased the safety of energy consuming.
- Electric contact acts as a switch control that follows the dial value on the thermometer.
- The pointer can be adjusted to send signals for the contactor to switch ON or OFF.
- Thermometers equipped with this optional feature will turn alarm signals "ON" or "OFF" automatically when the adjusted value is reached.
- And where appropriate relays are incorporated in the installation circuit, contacts will turn "ON" or "OFF" electric motors, heaters, valves, etc.

SPECIFICATIONS

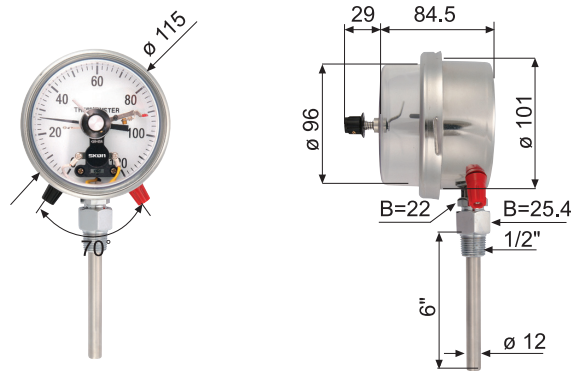
CONTENTS

DIMENSION	100mm
CASE	AISI 304
SENSOR STEM MATERIAL	AISI 304 or AISI 316
TEMPERATURE	-50~+600°C
CAPILLARY LENGTH	Standard 3M, max. 15M
CONTACTOR TYPE	Single /Double contact, external adjusting
ACCURACY	± 1 %

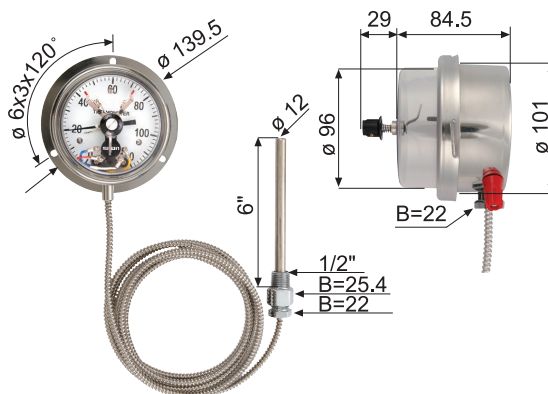
ELECTRIC CONTACT THERMOMETERS FOR BOTTOM MOUNTED CAPILLARIES CONNECTION



CW-4



CW-4-1



CW-4-2

