

型号说明/Model Code

* - **STB** - **G1/4**

① ② ③

- ① 材料/Material
SS : 不锈钢/Stainless steel 空白 : 碳钢/Carbon steel
- ② 节流阀系列代号/Bidirectional flow control valves series code
STB型/STB type
- ③ 连接螺纹尺寸/connection thread dimension
BBSP、NPT、UNF



技术参数/Technical data

应用材料/MATERIAL EMPLOYED
阀体/BODY: 钢/Steel
阀芯/VALVES: 强华硬质钢/Hardened Steel
密封/SEALS: 丁腈胶/NBR
适用工作环境/OPERATIONAL RANGE
安装/MOUNTING
按需/as preferred

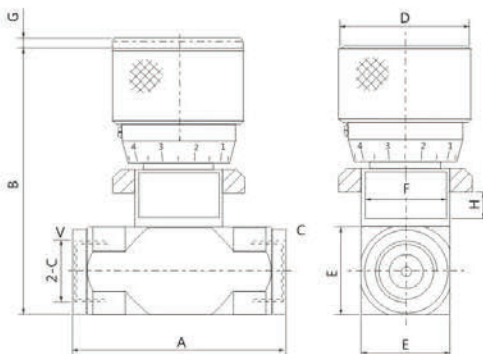
图形符号/Symbol



温度/Temperatures

理想工作温度/Ideal operating range between : +40°C ~ +70°C
最高工作温度/Max operating temperature : +90°C
最低/最高环境温度/ Min/Max environment temps : -20°C ~ +60°C

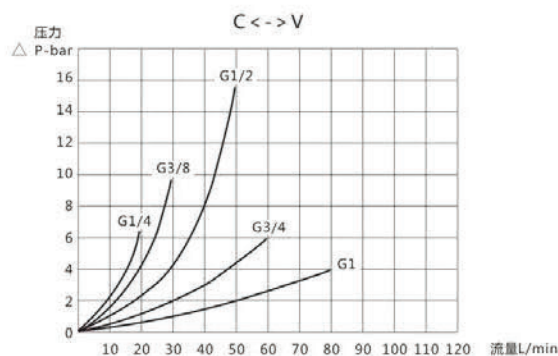
外形尺寸/Dimensions



型号/TYPE	C	最大流量 (L/min)	最大压力 (bar)	A	B	D	E	F	G	H
STB-G1/4	G1/4	12	400	54	72	32	20	M20×1	5	7
STB-G3/8	G3/8	30	400	62	80	32	25	M20×1.5	9	7
STB-G1/2	G1/2	50	400	73	92	45	30	M30×1.5	9	9
STB-G3/4	G3/4	85	400	84	100	45	40	M35×1.5	10	11
STB-G1	G1	150	320	102	122	45	45	M40×1.5	12	15

注: 1) F处压紧螺母需另行订购。
2) C处连接螺纹可以根据客户的要求来进行设计。
Note: 1) The impacted nut at F should be purchased by another way.
2) C can be designed according to customer requirements

流量曲线图/Flow diagram



应用/Applications

节流阀在进口和出口之间可产生压降。该阀没有压力补偿，因而调节流量可以改变压力和液压油粘度的关系。
The flow restrictor valves are able to produce a pressure drop between inlet and outlet. They are not pressure compensated so the regulated flow can change in function of the pressure and of the viscosity.