

## 囊式蓄能器规格 (GB/T 20663)

### SPECIFICATIONS FOR BLADDER TYPE ACCUMULATOR (GB/T 20663)



公称压力为10、20、31.5MPa的螺纹连接A型蓄能器 Type A Accumulator Thread connection 10、20、31.5MPa

| 序号<br>NO. | 型号<br>TYPE            | 最大流量<br>Max flow rate<br>L/s | 容积<br>CAPACITY<br>V(L) | 重量 (约)<br>WEIGHT<br>APPROX.<br>W(kg) | 液体口接头尺寸<br>CONNECTING<br>SIZE FOR<br>LIQUID PASSAGE |                    | 直径<br>DIAMETER<br>Do (mm) | L1<br>(mm) | L2<br>(mm) | 高度 (约)<br>HEIGHT<br>APPROX.<br>L (mm) |
|-----------|-----------------------|------------------------------|------------------------|--------------------------------------|---|--------------------|---------------------------|------------|------------|---------------------------------------|
|           |                       |                              |                        |                                      | 螺纹连接<br>Thread<br>A                                 | B<br>(mm)          |                           |            |            |                                       |
| 1         | NXQ-A-(0.4-1)/★-L-※   | 1                            | 0.4                    | 3                                    | M27×2   | Φ32<br>(Φ32×3.1)   | Φ89                       | 76         | 52         | 260                                   |
|           |                       |                              | 0.63                   | 3.5                                  |   |                    |                           |            |            | 315                                   |
|           |                       |                              | 1                      | 4.5                                  |   |                    |                           |            |            | 430                                   |
|           |                       |                              |                        |                                      |   |                    |                           |            |            |                                       |
| 2         | NXQ-A-1/★-L-※         | 1                            | 1                      | 5                                    | M27×2   | Φ32<br>(Φ32×3.1)   | Φ114                      | 76         | 52         | 330                                   |
|           |                       |                              |                        |                                      |   |                    |                           |            |            |                                       |
| 3         | NXQ-A-(1.6-6.3)/★-L-※ | 3.2                          | 1.6                    | 11                                   | M42×2   | Φ50<br>(Φ50×3.1)   | Φ152                      | 77         | 66         | 360                                   |
|           |                       |                              | 2.5                    | 13                                   |   |                    |                           |            |            | 425                                   |
|           |                       |                              | 4                      | 16                                   |   |                    |                           |            |            | 535                                   |
|           |                       |                              | 6.3                    | 22                                   |   |                    |                           |            |            | 705                                   |
|           |                       |                              |                        |                                      |   |                    |                           |            |            |                                       |
| 4         | NXQ-A-(10-50)/★-L-※   | 6                            | 10                     | 38                                   | M60×2   | Φ70<br>(Φ70×3.1)   | Φ219                      | 82         | 85         | 670                                   |
|           |                       |                              | 16                     | 52                                   |   |                    |                           |            |            | 880                                   |
|           |                       |                              | 20                     | 60                                   |   |                    |                           |            |            | 1005                                  |
|           |                       |                              | 25                     | 72                                   |   |                    |                           |            |            | 1180                                  |
|           |                       |                              | 32                     | 87                                   |   |                    |                           |            |            | 1420                                  |
|           |                       |                              | 40                     | 104                                  |   |                    |                           |            |            | 1700                                  |
|           |                       |                              | 50                     | 118                                  |   |                    |                           |            |            | 1930                                  |
| 5         | NXQ-A-(20-100)/★-L-※  | 10                           | 20                     | 92                                   | M72×2   | Φ80<br>(Φ80×3.1)   | Φ299                      | 86         | 105        | 700                                   |
|           |                       |                              | 25                     | 105                                  |   |                    |                           |            |            | 790                                   |
|           |                       |                              | 40                     | 135                                  |   |                    |                           |            |            | 1060                                  |
|           |                       |                              | 50                     | 148                                  |   |                    |                           |            |            | 1250                                  |
|           |                       |                              | 63                     | 191                                  |   |                    |                           |            |            | 1480                                  |
|           |                       |                              | 80                     | 241                                  |   |                    |                           |            |            | 1820                                  |
| 6         | NXQ-A-(63-160)/★-L-※  | 15                           | 63                     | 191                                  | M80×3   | Φ90<br>(Φ90×3.1)   | Φ351                      | 90         | 115        | 1205                                  |
|           |                       |                              | 80                     | 228                                  |   |                    |                           |            |            | 1435                                  |
|           |                       |                              | 100                    | 270                                  |   |                    |                           |            |            | 1705                                  |
|           |                       |                              | 125                    | 322                                  |   |                    |                           |            |            | 2025                                  |
|           |                       |                              | 160                    | 397                                  |   |                    |                           |            |            | 2495                                  |
| 7         | NXQ-A-(100-250)/★-L-※ | 20                           | 100                    | 441                                  | M100×3  | Φ115<br>(Φ115×5.7) | Φ426                      | 102        | 115        | 1342                                  |
|           |                       |                              | 160                    | 552                                  |   |                    |                           |            |            | 1942                                  |
|           |                       |                              | 200                    | 663                                  |   |                    |                           |            |            | 2342                                  |
|           |                       |                              | 250                    | 786                                  |   |                    |                           |            |            | 2942                                  |

公称压力为10、20、31.5MPa的螺纹连接AB型蓄能器 Type AB Accumulator Thread connection 10、20、31.5MPa

| 序号<br>NO. | 型号<br>TYPE            | 最大流量<br>Max flow rate<br>L/s | 容积<br>CAPACITY<br>V(L) | 重量 (约)<br>WEIGHT<br>APPROX.<br>W(kg) | 液体口接头尺寸<br>CONNECTING<br>SIZE FOR<br>LIQUID PASSAGE |                  | 直径<br>DIAMETER<br>Do (mm) | L1<br>(mm) | L2<br>(mm) | 高度 (约)<br>HEIGHT<br>APPROX.<br>L (mm) |
|-----------|-----------------------|------------------------------|------------------------|--------------------------------------|---|------------------|---------------------------|------------|------------|---------------------------------------|
|           |                       |                              |                        |                                      | 螺纹连接<br>Thread<br>A                                 | B<br>(mm)        |                           |            |            |                                       |
| 1         | NXQ-AB-(10-50)/★-L-※  | 6                            | 10                     | 40                                   | M60×2   | Φ70<br>(Φ70×3.1) | Φ219                      | 82         | 93         | 675                                   |
|           |                       |                              | 16                     | 54                                   |   |                  |                           |            |            | 885                                   |
|           |                       |                              | 20                     | 62                                   |   |                  |                           |            |            | 1010                                  |
|           |                       |                              | 25                     | 74                                   |   |                  |                           |            |            | 1185                                  |
|           |                       |                              | 32                     | 90                                   |   |                  |                           |            |            | 1425                                  |
|           |                       |                              | 40                     | 106                                  |   |                  |                           |            |            | 1705                                  |
|           |                       |                              | 50                     | 120                                  |   |                  |                           |            |            | 1935                                  |
| 2         | NXQ-AB-(25-125)/★-L-※ | 10                           | 25                     | 84                                   | M72×2   | Φ80<br>(Φ80×3.1) | Φ299                      | 86         | 114        | 770                                   |
|           |                       |                              | 40                     | 115                                  |   |                  |                           |            |            | 1050                                  |
|           |                       |                              | 50                     | 135                                  |   |                  |                           |            |            | 1230                                  |
|           |                       |                              | 63                     | 160                                  |   |                  |                           |            |            | 1470                                  |
|           |                       |                              | 80                     | 198                                  |   |                  |                           |            |            | 1810                                  |
|           |                       |                              | 100                    | 240                                  |   |                  |                           |            |            | 2190                                  |
| 3         | NXQ-AB-(63-200)/★-L-※ | 10                           | 63                     | 170                                  | M72×2   | Φ80<br>(Φ80×3.1) | Φ351                      | 90         | 114        | 1155                                  |
|           |                       |                              | 80                     | 206                                  |   |                  |                           |            |            | 1380                                  |
|           |                       |                              | 100                    | 250                                  |   |                  |                           |            |            | 1645                                  |
|           |                       |                              | 125                    | 304                                  |   |                  |                           |            |            | 1975                                  |
|           |                       |                              | 160                    | 378                                  |   |                  |                           |            |            | 2435                                  |
|           |                       |                              | 180                    | 420                                  |   |                  |                           |            |            | 2685                                  |
|           |                       |                              | 200                    | 460                                  |   |                  |                           |            |            | 2965                                  |
| 4         | NXQ-AB-(63-200)/★-L-※ | 17.5                         | 63                     | 170                                  | M85×2   | Φ95<br>(Φ95×3.1) | Φ351                      | 90         | 140        | 1180                                  |
|           |                       |                              | 80                     | 206                                  |   |                  |                           |            |            | 1405                                  |
|           |                       |                              | 100                    | 250                                  |   |                  |                           |            |            | 1670                                  |
|           |                       |                              | 125                    | 304                                  |   |                  |                           |            |            | 2000                                  |
|           |                       |                              | 168                    | 378                                  |   |                  |                           |            |            | 2460                                  |
|           |                       |                              | 180                    | 420                                  |   |                  |                           |            |            | 2710                                  |
| 200       | 460                   | 2990                         |                        |                                      |   |                  |                           |            |            |                                       |

**注**

- ★为结构型工作压力，※为工作介质：液压油：Y；乳化液：R；水：H。
- 对表格以外的特殊规格或接口尺寸的囊式蓄能器可根据客户要求生产。
- 本单位保留设计更改权，对修改不做另行通知。

**Note**

- ★ is working pressure of the structural type, ※ is the working medium: hydraulic oil: Y: Emulsion: R: Water: H
- The type of cystic accumulator for special specifications or mouth dimensions other than the form can be produced according to the customer's requirements.
- We reserves the right of design change without further notice.



公称压力为10、20、31.5MPa的法兰连接A型蓄能器 Type A Accumulator Flange connection 10、20、31.5MPa

| 序号<br>NO. | 型号<br>TYPE            | 最大流量<br>Max flow rate<br>L/s | 容积<br>CAPACITY<br>V(L) | 重量(约)<br>WEIGHT<br>APPROX.<br>W(kg) | 直径<br>DIAMETER<br>Do (mm) | 高度(约)<br>HEIGHT<br>APPROX.<br>L (mm) | L1<br>(mm) | L2<br>(mm) | 液体口接头尺寸(法兰连接)<br>CONNECTING<br>SIZE FOR<br>LIQUID PASSAGE(Flange) |                  |           |           |           |       |     |     |
|-----------|-----------------------|------------------------------|------------------------|-------------------------------------|---------------------------|--------------------------------------|------------|------------|---|------------------|-----------|-----------|-----------|-------|-----|-----|
|           |                       |                              |                        |                                     |                           |                                      |            |            | C<br>(mm)   | D<br>(mm)        | E<br>(mm) | F<br>(mm) | G<br>(mm) | n-ΦH  |     |     |
| 1         | NXQ-A-(1.6-6.3)/★-F-※ | 3.2                          | 1.6                    | 12.5                                | Φ152                      | 370                                  | 77         | 90         | Φ40   | Φ50<br>(Φ50×3.1) | M60×2     | Φ97       | Φ130      | 6-Φ17 |     |     |
|           |                       |                              | 2.5                    | 15                                  |                           | 435                                  |            |            |   |                  |           |           |           |       | 100 | 247 |
|           |                       |                              | 4                      | 18.5                                |                           | 545                                  |            |            |   |                  |           |           |           |       | 125 | 282 |
|           |                       |                              | 6.3                    | 25.5                                |                           | 715                                  |            |            |   |                  |           |           |           |       |     |     |
| 2         | NXQ-A-(10-50)/★-F-※   | 10                           | 10                     | 41                                  | Φ219                      | 685                                  | 82         | 109        | Φ50   | Φ70<br>(Φ70×3.1) | M80×2     | Φ125      | Φ160      | 6-Φ22 |     |     |
|           |                       |                              | 16                     | 53                                  |                           | 895                                  |            |            |   |                  |           |           |           |       |     |     |
|           |                       |                              | 20                     | 62                                  |                           | 1025                                 |            |            |   |                  |           |           |           |       |     |     |
|           |                       |                              | 25                     | 72                                  |                           | 1195                                 |            |            |   |                  |           |           |           |       |     |     |
|           |                       |                              | 32                     | 82                                  |                           | 1435                                 |            |            |   |                  |           |           |           |       |     |     |
|           |                       |                              | 40                     | 104                                 |                           | 1715                                 |            |            |   |                  |           |           |           |       |     |     |
|           |                       |                              | 50                     | 118                                 |                           | 2065                                 |            |            |   |                  |           |           |           |       |     |     |
| 3         | NXQ-A-(20-100)/★-F-※  | 15                           | 20                     | 92                                  | Φ299                      | 715                                  | 86         | 124        | Φ60   | Φ80<br>(Φ80×3.1) | M95×2     | Φ150      | Φ200      | 6-Φ26 |     |     |
|           |                       |                              | 25                     | 105                                 |                           | 810                                  |            |            |   |                  |           |           |           |       |     |     |
|           |                       |                              | 40                     | 135                                 |                           | 1080                                 |            |            |   |                  |           |           |           |       |     |     |
|           |                       |                              | 50                     | 148                                 |                           | 1270                                 |            |            |   |                  |           |           |           |       |     |     |
|           |                       |                              | 63                     | 191                                 |                           | 1500                                 |            |            |   |                  |           |           |           |       |     |     |
|           |                       |                              | 80                     | 241                                 |                           | 1840                                 |            |            |   |                  |           |           |           |       |     |     |
|           |                       |                              | 100                    | 290                                 |                           | 2220                                 |            |            |   |                  |           |           |           |       |     |     |
| 4         | NXQ-A-(63-160)/★-F-※  | 15                           | 63                     | 191                                 | Φ351                      | 1203                                 | 90         | 124        | Φ80   | Φ95<br>(Φ95×3.1) | M10×2     | Φ170      | Φ230      | 6-Φ26 |     |     |
|           |                       |                              | 80                     | 228                                 |                           | 1433                                 |            |            |   |                  |           |           |           |       |     |     |
|           |                       |                              | 100                    | 270                                 |                           | 1703                                 |            |            |   |                  |           |           |           |       |     |     |
|           |                       |                              | 125                    | 322                                 |                           | 2023                                 |            |            |   |                  |           |           |           |       |     |     |
|           |                       |                              | 160                    | 397                                 |                           | 2493                                 |            |            |   |                  |           |           |           |       |     |     |

公称压力为10、20、31.5MPa的法兰连接AB型蓄能器 Type AB Accumulator Flange connection 10、20、31.5MPa

| 序号<br>NO. | 型号<br>TYPE           | 最大流量<br>Max flow rate<br>L/s | 容积<br>CAPACITY<br>V(L) | 重量(约)<br>WEIGHT<br>APPROX.<br>W(kg) | 直径<br>DIAMETER<br>Do (mm) | 高度(约)<br>HEIGHT<br>APPROX.<br>L (mm) | L1<br>(mm) | L2<br>(mm) | 液体口接头尺寸(法兰连接)<br>CONNECTING<br>SIZE FOR<br>LIQUID PASSAGE(Flange) |                  |           |           |           |       |  |  |
|-----------|----------------------|------------------------------|------------------------|-------------------------------------|---------------------------|--------------------------------------|------------|------------|---|------------------|-----------|-----------|-----------|-------|--|--|
|           |                      |                              |                        |                                     |                           |                                      |            |            | C<br>(mm)   | D<br>(mm)        | E<br>(mm) | F<br>(mm) | G<br>(mm) | n-ΦH  |  |  |
| 1         | NXQ-AB-(10-50)/★-F-※ | 10                           | 10                     | 44                                  | Φ219                      | 690                                  | 82         | 109        | Φ50   | Φ70<br>(Φ70×3.1) | M80×2     | Φ125      | Φ160      | 6-Φ22 |  |  |
|           |                      |                              | 16                     | 58                                  |                           | 900                                  |            |            |   |                  |           |           |           |       |  |  |
|           |                      |                              | 20                     | 66                                  |                           | 1025                                 |            |            |   |                  |           |           |           |       |  |  |
|           |                      |                              | 25                     | 78                                  |                           | 1200                                 |            |            |   |                  |           |           |           |       |  |  |
|           |                      |                              | 32                     | 94                                  |                           | 1440                                 |            |            |   |                  |           |           |           |       |  |  |
|           |                      |                              | 40                     | 110                                 |                           | 1720                                 |            |            |   |                  |           |           |           |       |  |  |
| 50        | 124                  | 1950                         |                        |                                     |                           |                                      |            |            |   |                  |           |           |           |       |  |  |

|     |                       |      |     |     |      |      |    |     |     |                  |                   |      |      |       |  |  |
|-----|-----------------------|------|-----|-----|------|------|----|-----|-----|------------------|-------------------|------|------|-------|--|--|
| 2   | NXQ-AB-(25-125)/★-F-※ | 15   | 25  | 91  | Φ299 | 780  | 86 | 124 | Φ60 | Φ80<br>(Φ80×3.1) | M95×2             | Φ150 | Φ200 | 6-Φ26 |  |  |
|     |                       |      | 40  | 122 |      | 1060 |    |     |     |                  |                   |      |      |       |  |  |
|     |                       |      | 50  | 142 |      | 1240 |    |     |     |                  |                   |      |      |       |  |  |
|     |                       |      | 63  | 167 |      | 1480 |    |     |     |                  |                   |      |      |       |  |  |
|     |                       |      | 80  | 205 |      | 1820 |    |     |     |                  |                   |      |      |       |  |  |
|     |                       |      | 100 | 247 |      | 2200 |    |     |     |                  |                   |      |      |       |  |  |
| 3   | NXQ-AB-(63-200)/★-F-※ | 15   | 63  | 178 | Φ351 | 1180 | 90 | 124 | Φ80 | Φ95<br>(Φ95×3.1) | M95×2             | Φ150 | Φ200 | 6-Φ26 |  |  |
|     |                       |      | 80  | 214 |      | 1405 |    |     |     |                  |                   |      |      |       |  |  |
|     |                       |      | 100 | 258 |      | 1670 |    |     |     |                  |                   |      |      |       |  |  |
|     |                       |      | 125 | 312 |      | 2000 |    |     |     |                  |                   |      |      |       |  |  |
|     |                       |      | 160 | 386 |      | 2460 |    |     |     |                  |                   |      |      |       |  |  |
|     |                       |      | 180 | 428 |      | 2710 |    |     |     |                  |                   |      |      |       |  |  |
|     |                       |      | 200 | 468 |      | 2990 |    |     |     |                  |                   |      |      |       |  |  |
| 4   | NXQ-AB-(63-200)/★-F-※ | 15   | 63  | 178 | Φ351 | 1180 | 90 | 125 | Φ80 | Φ95<br>(Φ95×3.1) | 4<br>1/2-12<br>UN | Φ170 | Φ220 | 6-Φ26 |  |  |
|     |                       |      | 80  | 214 |      | 1405 |    |     |     |                  |                   |      |      |       |  |  |
|     |                       |      | 100 | 258 |      | 1670 |    |     |     |                  |                   |      |      |       |  |  |
|     |                       |      | 125 | 312 |      | 2000 |    |     |     |                  |                   |      |      |       |  |  |
|     |                       |      | 160 | 386 |      | 2460 |    |     |     |                  |                   |      |      |       |  |  |
|     |                       |      | 180 | 428 |      | 2710 |    |     |     |                  |                   |      |      |       |  |  |
| 200 | 468                   | 2990 |     |     |      |      |    |     |     |                  |                   |      |      |       |  |  |

注

- ★为结构型工作压力, ※为工作介质: 液压油: Y; 乳化液: R; 水: H。
- 对表格以外的特殊规格或口部尺寸的囊式蓄能器可根据客户要求要求进行生产。
- 本单位保留设计更改权, 对修改不做另行通知。

Note

- ★ is working pressure of the structural type, ※ is the working medium: hydraulic oil: Y; Emulsion: R; Water: H.
- The type of cystic accumulator for special specifications or mouth dimensions other than the form can be produced according to the customer's requirements.
- We reserves the right of design change without further notice.

公称压力为10、20、31.5MPa的法兰连接AB型蓄能器 Type AB Accumulator Flange connection 10、20、31.5MPa

| 序号<br>NO. | 型号<br>TYPE            | 最大流量<br>Max flow rate<br>L/s | 容积<br>CAPACITY<br>V(L) | 重量(约)<br>WEIGHT<br>APPROX.<br>W(kg) | 直径<br>DIAMETER<br>Do (mm) | 高度(约)<br>HEIGHT<br>APPROX.<br>L (mm) | L1<br>(mm) | L2<br>(mm) | 液体口接头尺寸(法兰连接)<br>CONNECTING<br>SIZE FOR<br>LIQUID PASSAGE(Flange) |                  |                   |           |           |       |
|-----------|-----------------------|------------------------------|------------------------|-------------------------------------|---------------------------|--------------------------------------|------------|------------|---|------------------|-------------------|-----------|-----------|-------|
|           |                       |                              |                        |                                     |                           |                                      |            |            | C<br>(mm)   | D<br>(mm)        | E<br>(mm)         | F<br>(mm) | G<br>(mm) | n-ΦH  |
| 1         | NXQ-AB-(10-50)/★-F-※  | 10                           | 10                     | 44                                  | Φ219                      | 690                                  | 82         | 109        | Φ50   | Φ70<br>(Φ70×3.1) | M80×2             | Φ125      | Φ160      | 6-Φ22 |
|           |                       |                              | 16                     | 58                                  |                           | 900                                  |            |            |   |                  |                   |           |           |       |
|           |                       |                              | 20                     | 66                                  |                           | 1025                                 |            |            |   |                  |                   |           |           |       |
|           |                       |                              | 25                     | 78                                  |                           | 1200                                 |            |            |   |                  |                   |           |           |       |
|           |                       |                              | 32                     | 94                                  |                           | 1440                                 |            |            |   |                  |                   |           |           |       |
|           |                       |                              | 40                     | 110                                 |                           | 1720                                 |            |            |   |                  |                   |           |           |       |
|           |                       |                              | 50                     | 124                                 |                           | 1950                                 |            |            |   |                  |                   |           |           |       |
| 2         | NXQ-AB-(25-125)/★-F-※ | 15                           | 25                     | 91                                  | Φ299                      | 780                                  | 86         | 124        | Φ60   | Φ80<br>(Φ80×3.1) | M95×2             | Φ150      | Φ200      | 6-Φ26 |
|           |                       |                              | 40                     | 122                                 |                           | 1060                                 |            |            |   |                  |                   |           |           |       |
|           |                       |                              | 50                     | 142                                 |                           | 1240                                 |            |            |   |                  |                   |           |           |       |
|           |                       |                              | 63                     | 167                                 |                           | 1480                                 |            |            |   |                  |                   |           |           |       |
|           |                       |                              | 80                     | 205                                 |                           | 1820                                 |            |            |   |                  |                   |           |           |       |
|           |                       |                              | 100                    | 247                                 |                           | 2200                                 |            |            |   |                  |                   |           |           |       |
| 3         | NXQ-AB-(63-200)/★-F-※ | 15                           | 63                     | 178                                 | Φ351                      | 1180                                 | 90         | 124        | Φ80   | Φ95<br>(Φ95×3.1) | M95×2             | Φ150      | Φ200      | 6-Φ26 |
|           |                       |                              | 80                     | 214                                 |                           | 1405                                 |            |            |   |                  |                   |           |           |       |
|           |                       |                              | 100                    | 258                                 |                           | 1670                                 |            |            |   |                  |                   |           |           |       |
|           |                       |                              | 125                    | 312                                 |                           | 2000                                 |            |            |   |                  |                   |           |           |       |
|           |                       |                              | 160                    | 386                                 |                           | 2460                                 |            |            |   |                  |                   |           |           |       |
|           |                       |                              | 180                    | 428                                 |                           | 2710                                 |            |            |   |                  |                   |           |           |       |
| 4         | NXQ-AB-(63-200)/★-F-※ | 15                           | 63                     | 178                                 | Φ351                      | 1180                                 | 90         | 125        | Φ80   | Φ95<br>(Φ95×3.1) | 4<br>1/2-12<br>UN | Φ170      | Φ220      | 6-Φ26 |
|           |                       |                              | 80                     | 214                                 |                           | 1405                                 |            |            |   |                  |                   |           |           |       |
|           |                       |                              | 100                    | 258                                 |                           | 1670                                 |            |            |   |                  |                   |           |           |       |
|           |                       |                              | 125                    | 312                                 |                           | 2000                                 |            |            |   |                  |                   |           |           |       |
|           |                       |                              | 160                    | 386                                 |                           | 2460                                 |            |            |   |                  |                   |           |           |       |
|           |                       |                              | 180                    | 428                                 |                           | 2710                                 |            |            |   |                  |                   |           |           |       |
| 200       | 468                   | 2990                         |                        |                                     |                           |                                      |            |            |   |                  |                   |           |           |       |

注

- ★为结构型工作压力, ※为工作介质: 液压油: Y; 乳化液: R; 水: H。
- 对表格以外的特殊规格或口部尺寸的囊式蓄能器可根据客户要求生产。
- 本单位保留设计更改权, 对修改不做另行通知。

Note

- ★ is working pressure of the structural type, ※ is the working medium: hydraulic oil: Y; Emulsion: R; Water: H.
- The type of cystic accumulator for special specifications or mouth dimensions other than the form can be produced according to the customer's requirements.
- We reserves the right of design change without further notice.

型号说明

Model code

NXQ-A-0.4/10-L-Y-I  
 ↓ ↓ ↓ ↓ ↓ ↓ ↓  
 ① ② ③ ④ ⑤ ⑥ ⑦

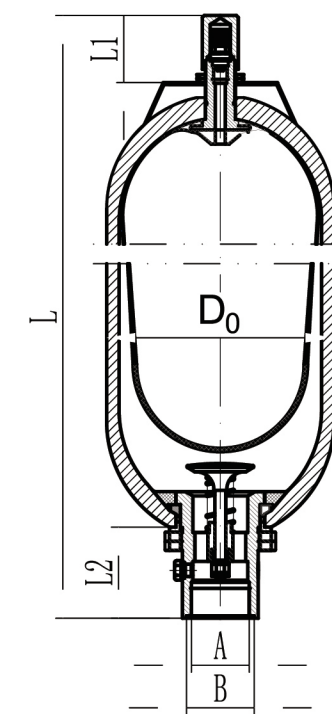
- 代号 Code: NXQ  
囊式蓄能器 Bladder Accumulator
- 结构型式 Structure: A型 type A; AB型 type AB
- 公称容积 Nominal Volume: L
- 公称压力 Nominal Pressure: MPa
- 连接型式 Connection Type: 螺纹连接 Thread: L; 法兰连接 Flange: F
- 工作介质 Media: 液压油 Hydraulic oil: Y 乳化液 emulsion: R 水 Water: H
- 疲劳试验类别 Fatigue Test Type : I

标记示例

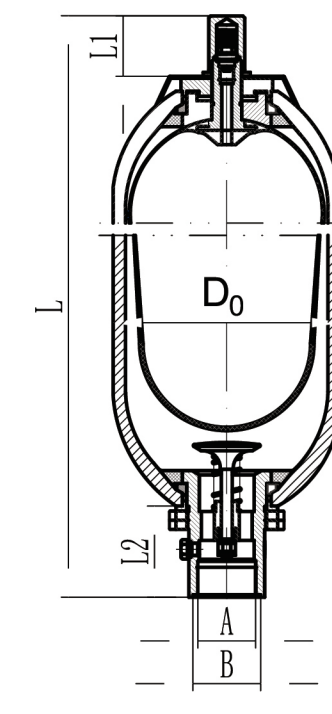
公称压力为20MPa, 公称容积为0.4L, 连接型式为螺纹连接L, 以液压油为工作介质, 疲劳试验类别 I的A型囊式标准蓄能器标记为: NXQ-A-0.4/20-L-Y-I。

Mark example

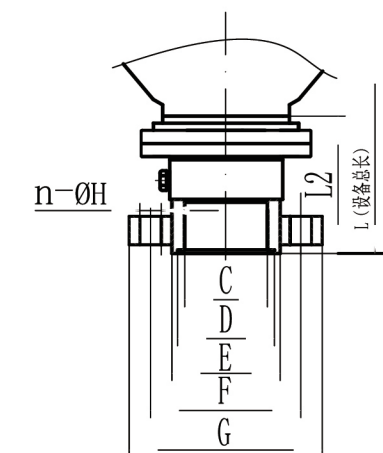
Working Pressure is 20MPa, Nominal Volume 0.4L, Thread Connection, Media: Hydraulic oil, Bladder Accumulator of Type A, the code is NXQ-A-0.4/20-L-Y-I.



A型蓄能器-螺纹连接  
Type A-Thread Con.



AB型蓄能器-螺纹连接  
Type AB-Thread Con.



A/AB型蓄能器-法兰连接  
Type A / AB-Flange Con.