

# TC 50 series

Polyamide filler plug



# TC 50 GENERAL INFORMATION

## Technical data

### Filler and Drain Plugs

#### Polyamide filler plug

TC50 is a range of plastic compact air breathers and filler plugs for protection of the tank against the solid contamination contained into the air and filling of the fluid into the systems during the commissioning and maintenance procedures. They are directly fitted on the tank.

#### Available features:

- G 1" male threaded connection, with or without nut
- Metal filtration, to hold the coarse contamination contained into the air
- Filling basket, to hold the coarse contamination contained into the fluid and to diffuse the fluid flow into the tank
- Caps with different graphics and colours, for the use in several applications

#### Common applications:

- Hydraulic systems
- Mobile machines
- Industrial equipment

#### Materials

- Cover: Polyamide
- Filter element: Galvanized steel
- Filler cap: Polyamide
- Strainer: Galvanized steel / Polyamide  
AISI 304 / Polyamide
- Collar: Polyamide
- Seals: Inorganic fibre
- Ringnut: Phosphatized steel

#### Temperature

From -25 °C to +100 °C

#### Weight

TC 50 G1" conn. 0.70 kg  
TC 50 with ringnut 0.10 kg

#### Quantity

25 pcs/pack



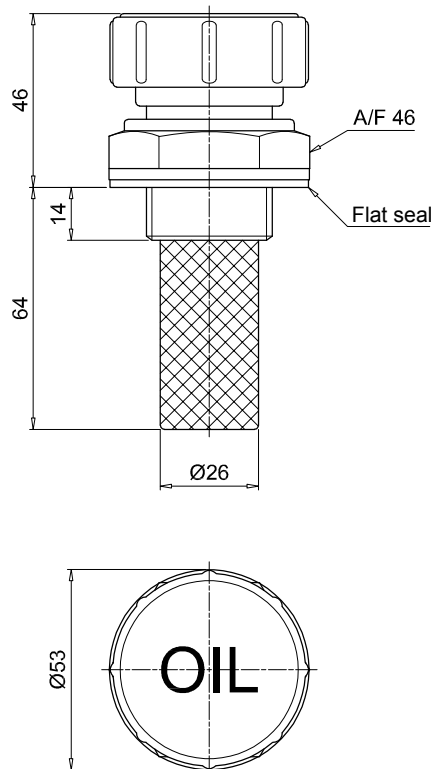
## Designation & Ordering code

### COMPLETE FILLER PLUG

Series	Configuration example :	TC50	G1	L90	P	R	O	C70	P01
<b>TC50</b>									
<b>Connections</b>									
<b>G1</b>	G 1"								
<b>GA</b>	With ringnut								
<b>Filtration rating</b>									
<b>L90</b>	Galvanized steel								
<b>Seals</b>									
<b>P</b>	Inorganic fiber								
<b>Cover colour</b>									
<b>R</b>	Red								
<b>Y</b>	Yellow								
<b>Cover wording</b>									
<b>O</b>	Oil								
<b>N</b>	Neutral								
<b>Basket</b>									
<b>S</b>	Without basket								
<b>C70</b>	With basket 70 mm - galvanized steel								
<b>I70</b>	With basket 70 mm - AISI 304								
<b>Execution</b>									
<b>P01</b>	MP Filtri standard								
<b>Pxx</b>	Customized								

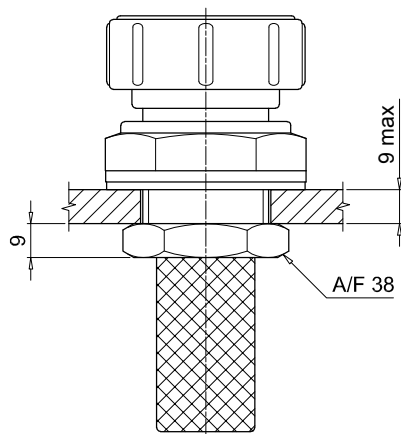
TC50

Threaded connection



TC50

With ringnut



Through hole on the tank

