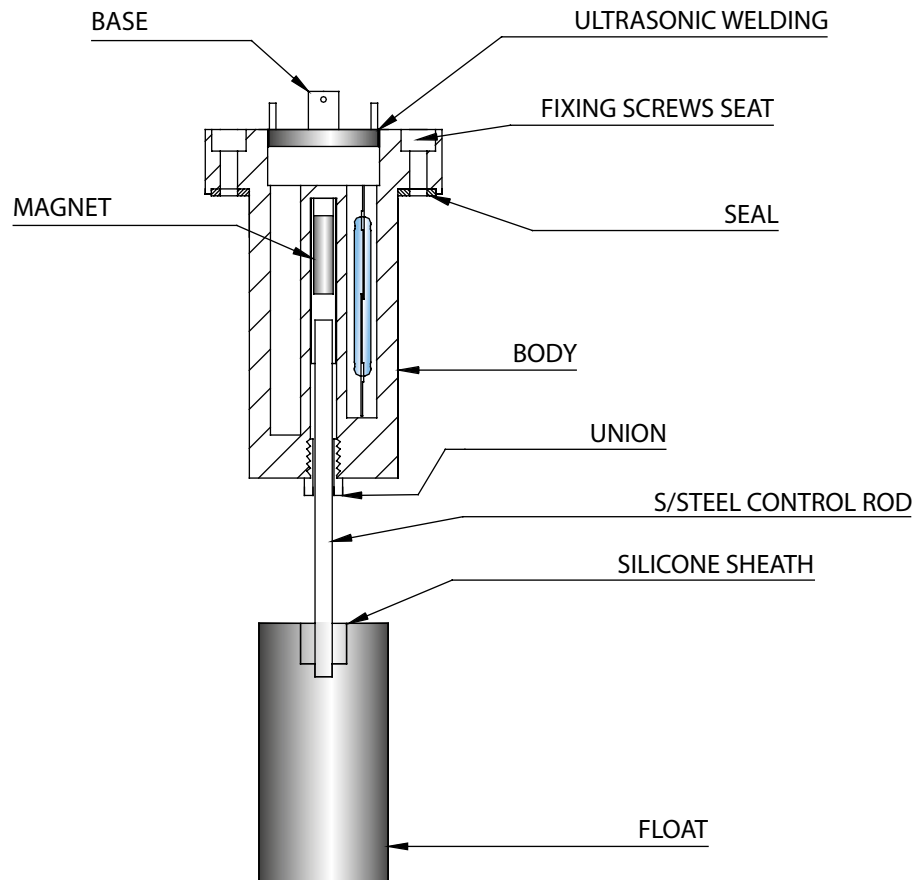


RAPID LEVEL

PATENTED LEVEL SWITCHES WITH UNIQUE CHARACTERISTICS



* The required length can be obtained simply by cutting the steel rod, using an ordinary pipe cutter; or the switching point can be varied by using a float with through hole allowing the required liquid control point to be modified whenever necessary.

* It can be used for dirty liquids, water, petroleum, cutting oils, and tolerates the presence of metal and ferrous particles, since the float does not hold a magnet and is integral with the rod.

* One float can operate just one Reed (min. or max. level), or two Reeds (min. and empty and extra max. level) thus meeting the most complex needs.

* Total safety since the electrical part is completely separate in the tank side and perfectly sealed with respect to the external side by means of ultrasonic welding.

* The nylon-glass body is very strong and very resistant with respect to chemicals, and is ideal as an insulating container for the Reed contacts.

* The Rapid Levels come standard with rods suitable for control of a max. measurement of 500 or 1000mm. To obtain specific measurements, refer to the table on the next page.

* They can be ordered already arranged for the control of predetermined measurements.

THROUGH FLOAT

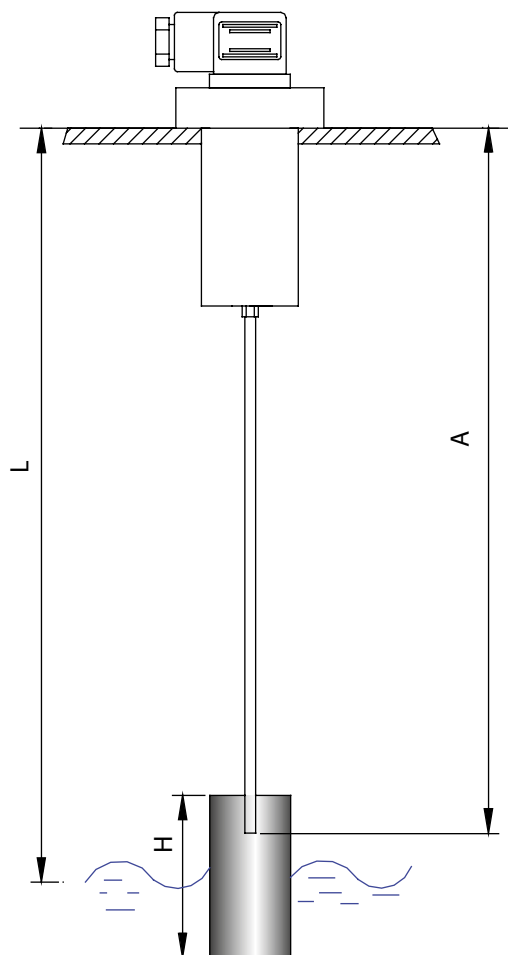


On request the float can be supplied with through hole and therefore be positioned in the required position without having to cut the rod (which can therefore be as long as the height of the tank). If necessary, the liquid control point can be subsequently be modified as required by simply moving the float. Available on request with AISI 316 stop.

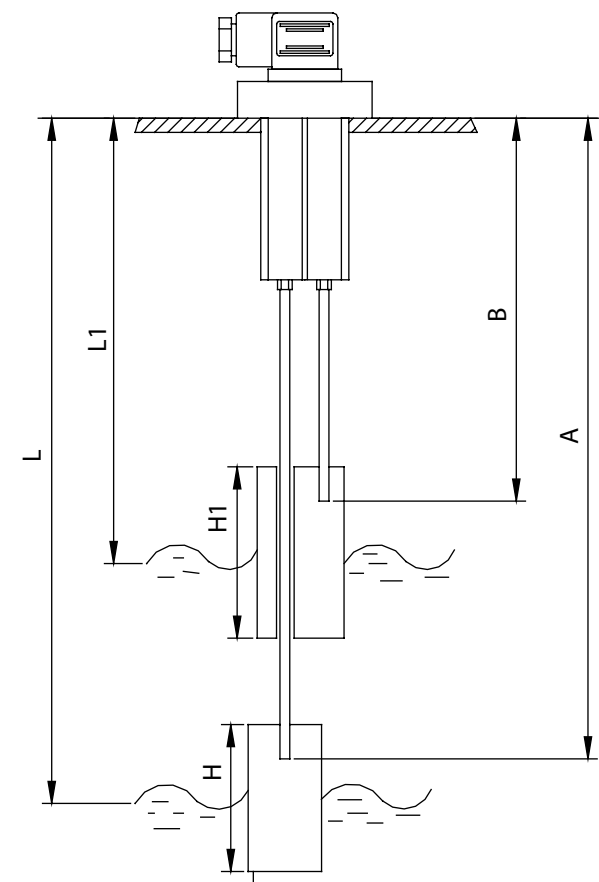
RAPID LEVEL

Rapid Level connection rod cutting table.

(NB : Carry out the cutting measurement with the rod in traction with respect to the body)



CONTROL VALUE L= (mm)	ROD CUTTING FOR MIN. LEVEL A= (mm)	CONTROL VALUE L1= (mm)	ROD CUTTING FOR MAX. LEVEL B= (mm)
90	116 H= 35		
100	116 H= 45		
110	116 H= 55		
120	116		
140	137		
160	158		
180	179	90	62 H1= 35
200	200	100	62 H1= 45
220	221	120	131
240	242	140	152
260	263	160	173
280	284	180	194
300	305	200	215
320	326	220	236
340	347	240	257
360	368	260	278
380	389	280	299
400	410	300	320
420	431	320	341
440	452	340	362
460	473	360	383
480	494	380	404
500	515	400	425
520	536	420	446
540	557	440	467
560	578	460	488
580	599	480	509
600	620	500	530
620	641	520	551
640	662	540	572
660	683	560	593
680	704	580	614
700	725	600	635
720	746	620	656
740	767	640	677
760	788	660	698
780	809	680	719
800	830	700	740
820	851	720	761
840	872	740	782
860	893	760	803
880	914	780	824
900	935	800	845
920	956	820	866
940	977	840	887
960	998	860	908
980	1019	880	929
1000	1040	900	950



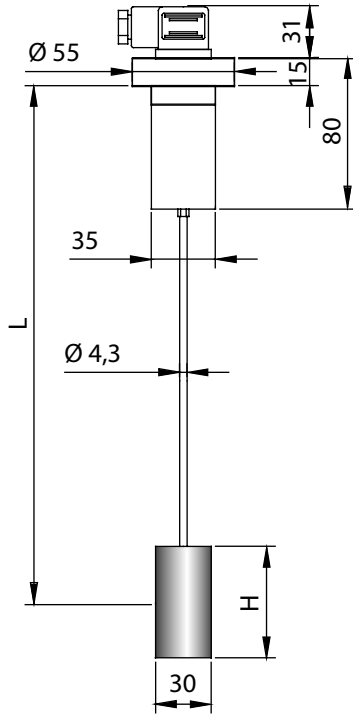
L-L1 = 100 mm
A-B = 90 mm

H = 35 (L = 90 mm)
H = 45 (L = 100 mm)
H = 55 (L = 110 mm)
H = 60 (L = 120 - 500 mm)
H = 90 (L = 501 - 1000 mm)
H1 = 35 (L1 = 90)
H1 = 45 (L1 = 100)
H1 = 70 (L1 = 120 - 1000 mm)

RL/G1-F3

RAPID LEVEL" TYPE LEVEL SWITCH WITH 1 FLOAT

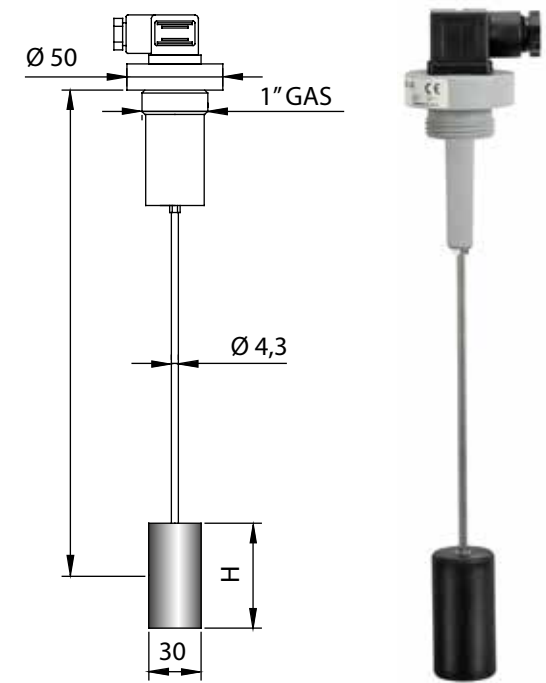
RL/G1-1"GAS



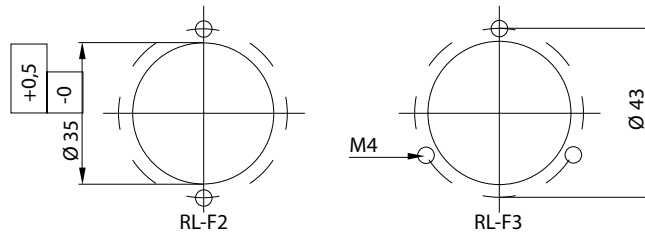
ADVANTAGES OF THE RANGE

- 1- These electromagnetic level gauges in Kits can be obtained in the required length "L" simply by cutting the control rod with an ordinary pipe cutter and press fitting the float in the cutting place (see table for cutting).
- 2- The control rod can commutate the signal of 1 or 2 Reeds in sequence (with single or exchange contact).
- 3- The float does not hold magnets, therefore the Level can also be used in the presence of dirty liquids or ferrous particles.

Maximum working pressure: 10Bar.

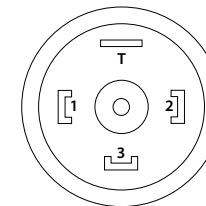


FIXING DIAGRAM



CONNECTION:

Connector CE
EN 175301-803-A IP65 PG.9/11



MODEL	PROCESS CONNECTION		ELECTRICAL CONNECTION			RODS		APPLICATION	FLOAT		CALM TUBE		OPERATING TEMPERATURE		ELECTRICAL CONNECTION				
						L	MATERIAL												
RL/G1	1"	1" GAS	S1	SPST	CLOSED IN THE ABSENCE OF LIQUID	FROM 90 TO 1000	S	AISI 304 STAINLESS STEEL	S	REED STANDARD	S	NBR STANDARD	S	NOT PRESENT	S	-20...+80°C	1	CONNECTOR IP65	
	F3	FLANGE Ø55 WITH 3 HOLES	S1A	SPST	CLOSED IN THE PRESENCE OF LIQUID						P						NBR WITH THROUGH DRILLING	2	CONNECTOR IP65 WITH LED
	F2	FLANGE Ø55 WITH 2 HOLES	S2	SPDT	EXCHANGE						O						PRESENT IN BRASS	3	ALUMINUM HEAD IP68
	1"1/4 GAS	1" 1/4 GAS ALUMINUM	S3	SPST	MIN.-EMPTY						F						NBR WITH THROUGH DRILLING AND STAINLESS STEEL AISI 316	4	AISI 316 STAINLESS STEEL HEAD IP68
	1"1/4 NPT	1" 1/4 NPT ALUMINUM	S3A	SPST	MAX.-EMPTY						I*						Ø42x83 AISI 316 STAINLESS STEEL WITH AISI 316 STAINLESS STEEL STOPS	I	PRESENT IN AISI 316 STAINLESS STEEL
RL/G1	F3	S2	500	S	S	S	S	S	1										

* INSTALLATION POSSIBLE ONLY FROM INSIDE BY REMOVING THE FLOAT AS IT DOES NOT PASS FROM THE PROCESS ATTACK

ELECTRICAL CONTACTS	ELECTRICAL CHARACTERISTICS			
	POWER COMMUTABLE IN D.C.	POWER COMMUTABLE IN A.C.	CURRENT STRENGTH IN A.C.	COMMUTABLE VOLTAGE
S1 / S1A / S3 / S3A	60 W	60 V.A.	3 A	230 VDC / VAC
S2	60 W	60 V.A.	1 A	250 VDC / VAC
S1 PLC / S1A PLC	50 W	50 V.A.	1 A	250 VDC / VAC
S2 PLC	20 W	20 V.A.	1 A	150 VDC / VAC